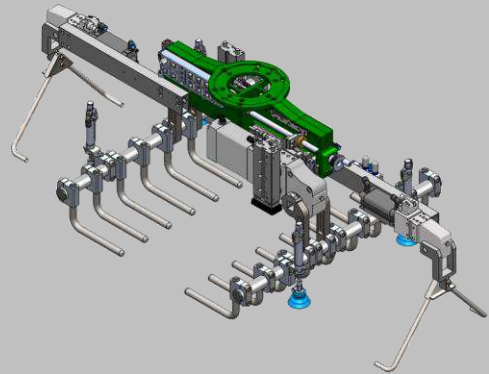


# Applied Robotics Palletizing Gripper ARPG - Bag Gripper Options

The APPLIED ROBOTICS Palletizing Gripper (ARPG) – Bag Gripper provides rapid pick-and-place palletizing of bagged products, offering complete robotic control of a palletizing cell.

## Advantages:

- *Flexibility*
  - Options can be used together as one unit or separately, allowing for the same robot to accomplish many tasks.
- *Robustness*
  - Engineered construction with select materials provides maximum strength in any industrial environment.

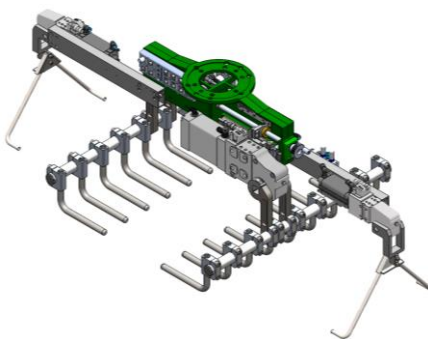


## SPECIFICATIONS

Option	Additional Weight kg (lb)	Operating Pressure bar (psi)	Operating Temperature °C (°F)	Noise Emission (Sound Pressure) dB(A)
<b>Pallet Picker</b>	2.7 (6.0)	4 – 6 (58 – 87)	5 – 60 (41 – 140)	< = 70 in any direction
<b>Pusher Type</b>	1.0 (2.2)	4 – 6 (58 – 87)	5 – 60 (41 – 140)	< = 70 in any direction
<b>Sheet Picker</b>	1.1 (2.4)	4 – 6 (58 – 87)	5 – 60 (41 – 140)	< = 70 in any direction

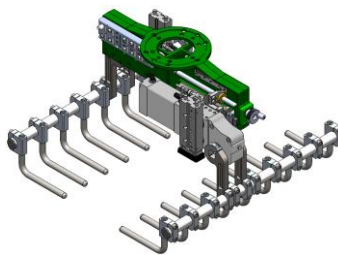
## OPTIONS

### Pallet Picker



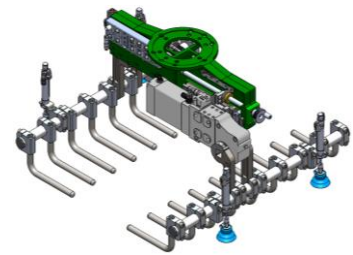
Enables picking and placing of standard pallets without interrupting palletizing cycle.

### Pneumatic Pusher



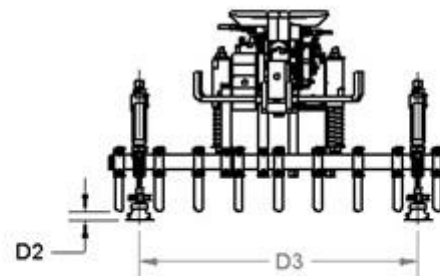
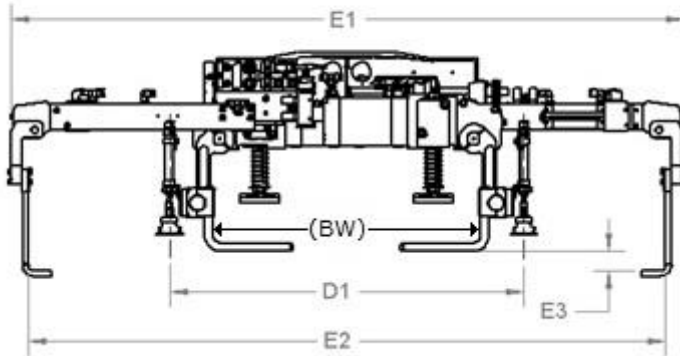
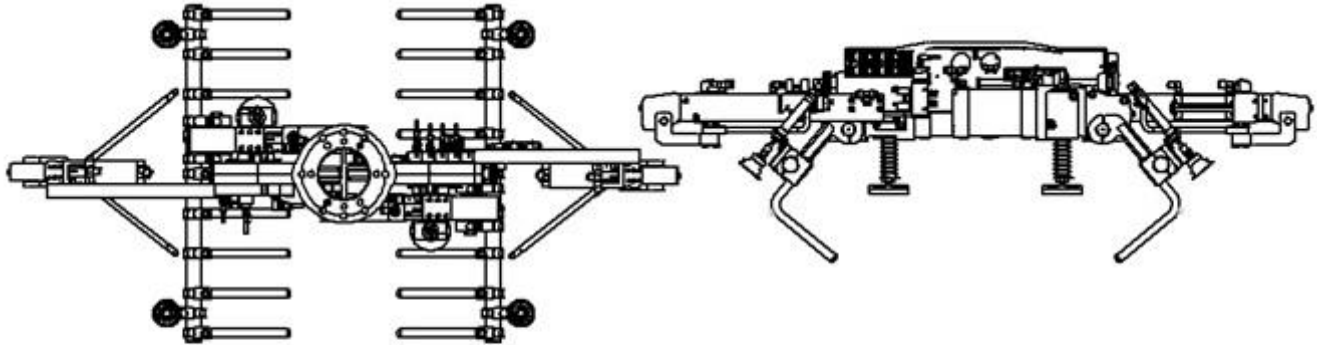
Offers controlled clamping and releasing through the use of pneumatic cylinders, as well as giving the same amount of force on all bags, regardless of bag thickness.

### Sheet Picker



Allows picking and placing of any type of sheet via suction cups.

## PRODUCT INFORMATION



	Opening Range (Bag Width, BW)		Slip Sheet Option			Pallet Picker Option		
	B1	B2	D1	D2	D3	E1	E2	E3
<b>ARPG15</b> <b>ARPG15S</b>	200 (7.87)	375 (14.76)	BW+87 (BW+3.42)	18 (0.7)	381 (15.0)	1288 (5.7)	1220 (48.0)	37 (14.5)
<b>ARPG30</b> <b>ARPG30S</b>	300 (11.81)	500 (19.69)	BW+87 (BW+3.42)	18 (0.7)	534 (21.0)	1288 (5.7)	1220 (48.0)	37 (14.5)
<b>ARPG50</b> <b>ARPG50S</b>	400 (15.75)	600 (23.62)	BW+87 (BW+3.42)	18 (0.7)	685 (29.7)	1450 (57.1)	1220 (48.0)	37 (14.5)

\* Dimensions are in millimeters (inches).

\*\* Models designated with 'S' contain a Servo for on-the-fly bag width adjustment.

\*\*\* All dimensions are descriptive and subject to variation for technical upgrading. We reserve the right to make variations without prior notification.