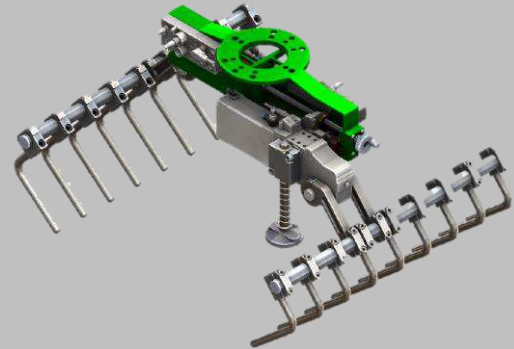


Applied Robotics Palletizing Gripper ARPG - Bag Gripper

The APPLIED ROBOTICS Palletizing Gripper (ARPG) – Bag Gripper provides rapid pick-and-place palletizing of bagged products, offering complete robotic control of a palletizing cell.

Advantages:

- *High Energy Density (Payload to Gripper Weight Ratio)*
 - Doesn't require large robots to palletize lightweight bags.
- *Versatility*
 - Gripper width easily adjusts and locks with our Self-Locking Rotary Handwheel.
- *Failsafe Payload Support*
 - Will not lose payload during loss of power or air.
- *Robustness*
 - Engineered construction with select materials provides maximum strength in any industrial environment.



SPECIFICATIONS

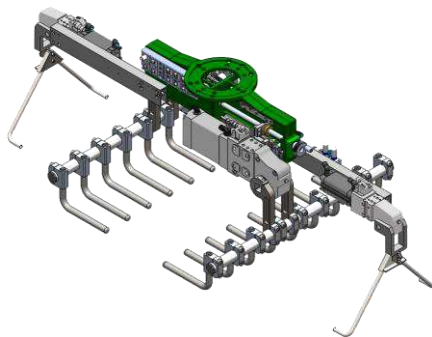
Model	Rated Payload	Recommended Maximum Bag Length	Bag Width	Bag Height	Gripper Weight
	kg (lb)	mm (in)	mm (in)	mm (in)	kg (lb)
ARPG15 ARPG15S*	15 (33)	600 (23.62)	200 - 375 (7.87 - 14.76)	75 - 150 (2.95 - 5.91)	20 (44.1)
ARPG30 ARPG30S*	30 (66)	750 (29.53)	300 - 500 (11.81 - 19.69)	75 - 150 (2.95 - 5.91)	26 (57.3)
ARPG50 ARPG50S*	50 (110)	1,050 (41.34)	400 - 600 (15.75 - 23.62)	100 - 200 (3.94 - 7.87)	44 (97.0)

Bags Per Minute: 30 BPM
 Noise Emissions: < = 70 dB(A) in any direction
 Operating Temperature: 5 – 60 °C (41 – 140 °F)
 Operating Pressure: 4 – 6 bar (58 – 87 psi)

* Models designated with 'S' contain a Servo for on-the-fly bag width adjustment.

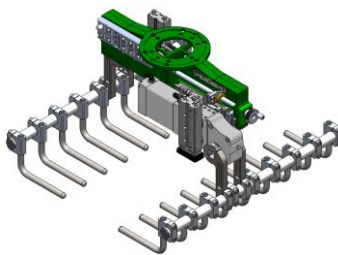
OPTIONS

Pallet Picker



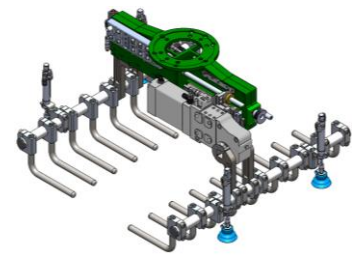
Enables picking and placing of standard pallets without interrupting palletizing cycle.

Pneumatic Pusher



Offers controlled clamping and releasing through the use of pneumatic cylinders, as well as giving the same amount of force on all bags, regardless of bag thickness.

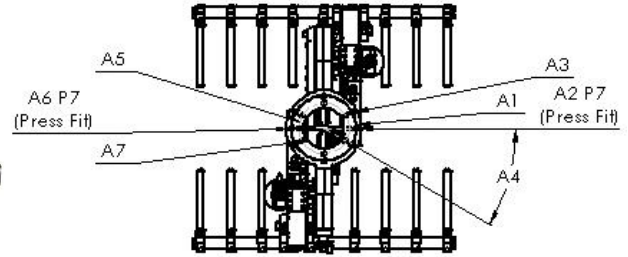
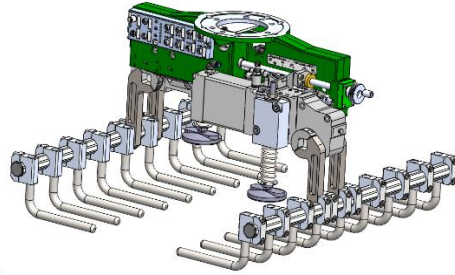
Sheet Picker



Allows picking and placing of any type of sheet via suction cups.

 **Applied Robotics™**
Solutions in reach

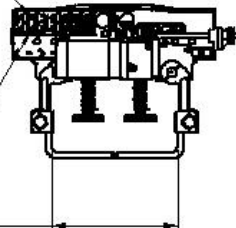
PRODUCT INFORMATION



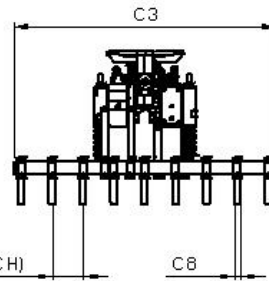
COMMUNICATIONS
(4-Pin D-Coded M12 EIP)
(4-Pin D-Coded M12 PROFINET)

POWER
(5-Pin L-Coded M12 EIP)
(5-Pin L-Coded M12 PROFINET)

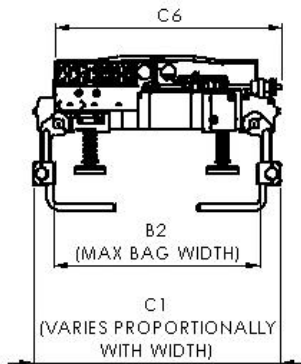
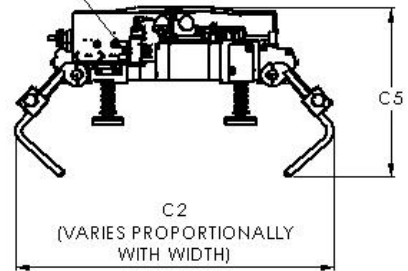
B1
(MIN BAG WIDTH)



C7
(ADJUSTABLE PITCH)



AIR INPUT
(6mm Push-to-Connection)



	Mounting Information							Opening Range (Bag Width, BW)		Informational Dimensions							
	A1	A2	A3	A4	A5	A6	A7	B1	B2	C1	C2	C3	C4	C5	C6	C7	C8
ARPG15 ARPG15S	160 (6.30)	12 (0.47)	12.5 (0.49)	30°	125 (4.92)	10 (0.39)	10.5 (0.41)	200 (7.87)	375 (14.76)	BW+106 (BW+4.16)	BW+275 (BW+10.8)	365 (14.4)	415 (16.3)	420 (16.5)	204 (8.0)	16-200 (.6-7.8)	15.88 (.625)
ARPG30 ARPG30S	160 (6.30)	12 (0.47)	12.5 (0.49)	30°	125 (4.92)	10 (0.39)	10.5 (0.41)	300 (11.81)	500 (19.69)	BW+106 (BW+4.16)	BW+280 (BW+11.2)	381 (15)	420 (16.5)	420 (16.5)	254 (10)	16-200 (.6-7.8)	15.88 (.625)
ARPG50 ARPG50S	160 (6.30)	12 (0.47)	12.5 (0.49)	30°	125 (4.92)	10 (0.39)	10.5 (0.41)	400 (15.75)	600 (23.62)	BW+106 (BW+4.16)	BW+500 (BW+19.7)	470 (18.5)	525 (20.7)	635 (25.0)	636 (25.0)	16-200 (.6-7.8)	15.88 (.625)

* Dimensions are in millimeters (inches).

** Models designated with 'S' contain a Servo for on-the-fly bag width adjustment.

*** All dimensions are descriptive and subject to variation for technical upgrading. We reserve the right to make variations without prior notification.



APPLIED ROBOTICS
648 Saratoga Road, Glenville, NY 12302 USA
Tel: +1 518 384 1000 Fax: +1 518 384 1200
www.appliedrobotics.com

