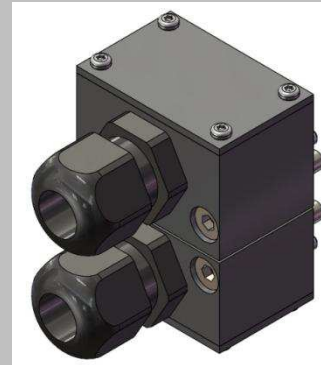


EPSILON ELECTRICAL

E63-R-D-PG-20.05-N-00-N/E63-T-D-PG-20.05-N-00-N

Applied Robotics I/O modules provide the exchanging of electrical signals (power, discrete, bus communication, etc.) to the end-of-arm tooling (EOAT) directly through the tool changer. Not only does this add efficiency to processes requiring frequent connection/disconnection of signals, but also reduces the probability of human errors introduced by manual changing of connections.



SPECIFICATIONS

Property	Value	
	R1	T1
Connection Type	PG Strain Relief	
Rated Current	5 amps *	
Rated Voltage	1000 volts	
Number of User Contacts	20	
Wire Gauge for Contacts	22 AWG (Max)	
Operating Temperature	5 - 60 °C (40 - 140 °F)	

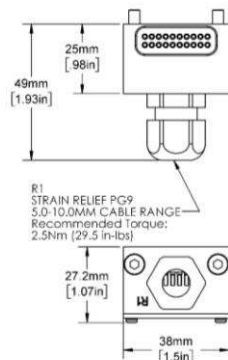
Advantages

- Electrically Insulated Housing Construction
- Easily Replaceable Spring Pin Contacts

*Do not exceed the cables amperage or voltage rating

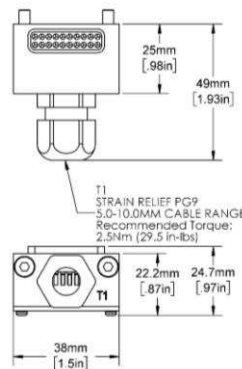
ROBOT ELECTRICAL MODULE

WEIGHT: 0.04 kg [0.09 lbs]

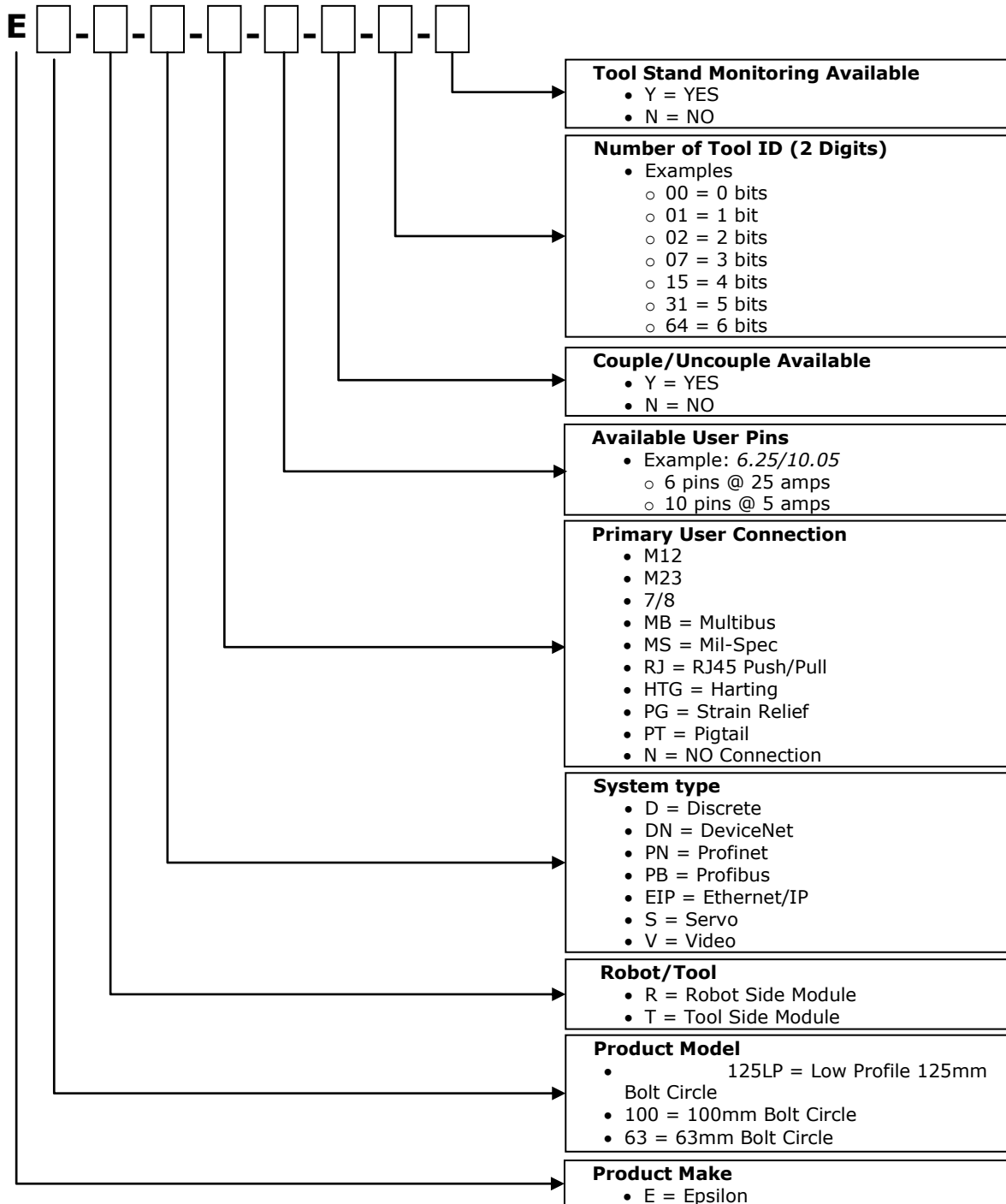


TOOL ELECTRICAL MODULE

WEIGHT: 0.03 kg [0.07 lbs]



PRODUCT DESCRIPTION



Custom/Special: E- - - -S###

648 Saratoga Road
 Glensville, NY 12302 USA
 Tel: 518 384 1000
 Fax: 518 384 1200

Via Roma 141/143
 8017 San Maurizio
 d'Opaglio (NO) - Italy
 Tel: +39 (0) 32 29 65 93
 Fax: +39 (0) 32 29 50 686

www.appliedrobotics.com

