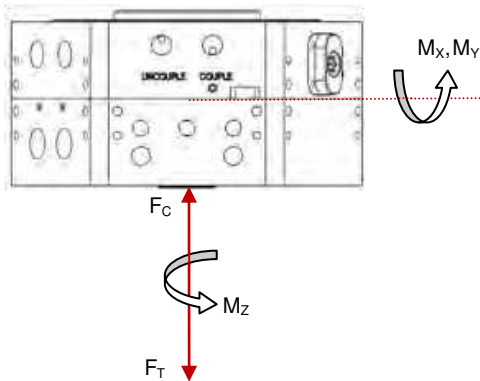


EPSILON TOOL CHANGER ER80/ET100

Applied Robotics automatic tool changing technology allows for exchanging robotic end-of-arm tooling (EOAT) on the fly without shutting down production lines. Not only does this add efficiency to processes requiring frequent connection/disconnection of tooling and support utilities, but also reduces the probability of human errors introduced by manual connections.



SPECIFICATIONS



Mechanical

	METRIC	ENGLISH
Payload	90 Kg	198 lbs
Maximum Operating Moment (M_x, M_y)	465 Nm	4,120 in-lbs
Maximum E-Stop Moment (M_x, M_y)	890 Nm	7,880 in-lbs
Maximum Operating Torque (M_z)	640 Nm	5,665 in-lbs
Maximum E-Stop Torque (M_z)	1,585 Nm	14,025 in-lbs
Maximum Tensile Force (F_T)	13,345 N	3,000 lbs
Maximum Compressive Force (F_C)	31,649 N	7,115 lbs
Positional Repeatability (X, Y & Z)	+/- 0.02 mm	+/- 0.0008 in
Operating Temperature	5 - 60 °C	40 - 140 °F

Electrical/Pneumatic

Supply Pressure	5 - 7 bar	72 - 101 psi
Couple/Uncouple Sensing Voltage	10 - 30 Vdc	10 - 30 Vdc
User Pneumatic Pressure Range	0 - 7 bar	0 - 101 psi
User Pneumatic Flow (CFM)		

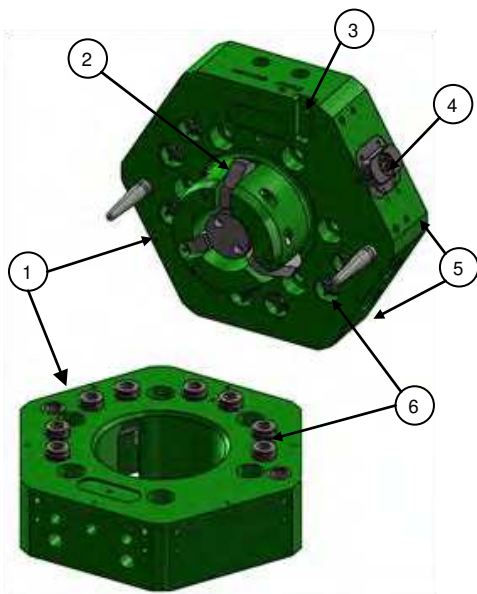
** Contact Applications Engineering**

Features & Benefits

- 1) High Strength Aluminum Alloy Body
- 2) Cam Locking Mechanism with **Lifetime Guarantee**
 - o Self-Centering
 - o Wear Compensating
 - o Self-Cleaning
 - o Positive Cam Retraction
 - o Mechanical Locking (Loss of Air)
- 3) Optional Tool Present Sensing
- 4) Couple/Uncouple Sensing
- 5) Flexible Utility Options
- 6) 8x G1/4 User Pneumatic Ports (Checked on Robot Side)

Optional Utilities

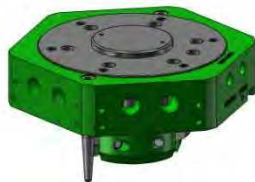
- Couple/Uncouple Valve Module (w/ Tool Stand Monitoring)
- Electrical Passthru (Signal, Communication, etc.)



PRODUCT INFORMATION

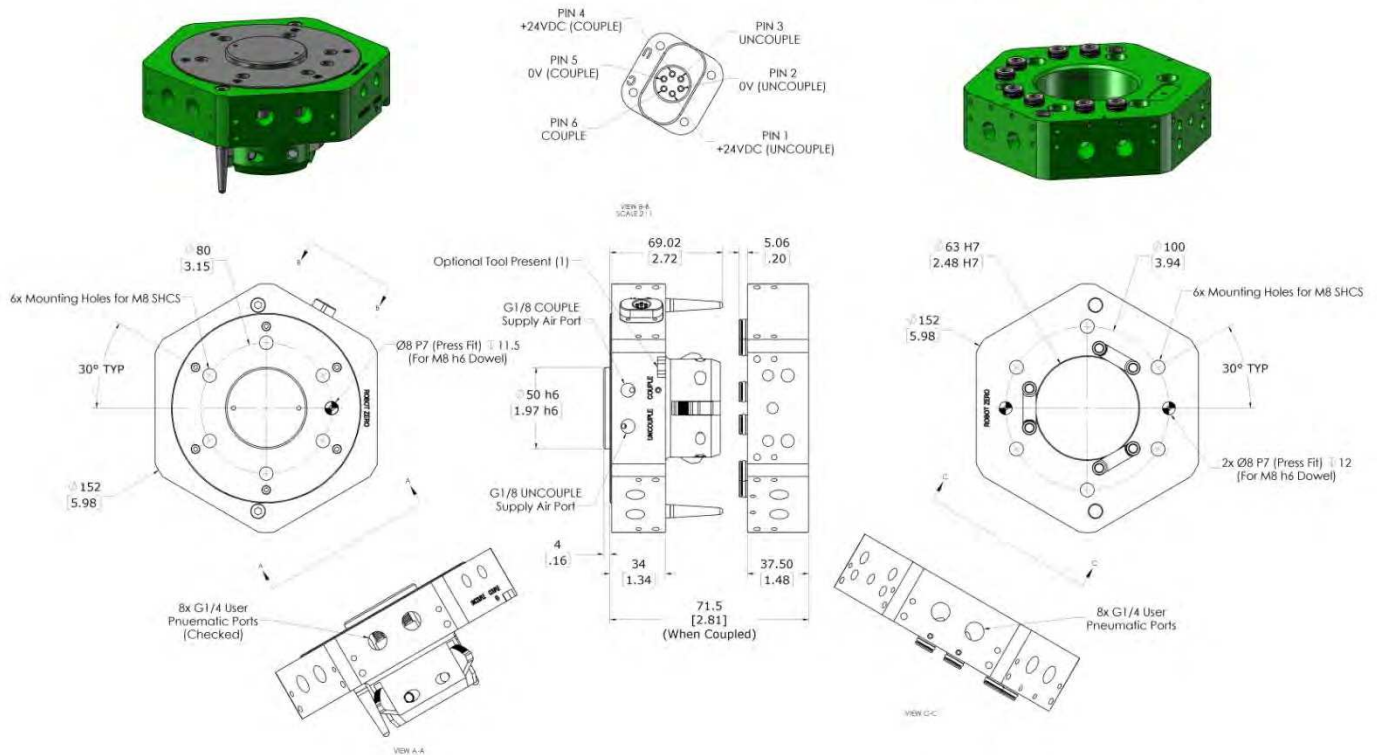
ROBOT ADAPTOR

ROBOT ADAPTOR WEIGHT: 1.52 kg [3.34 lbs]

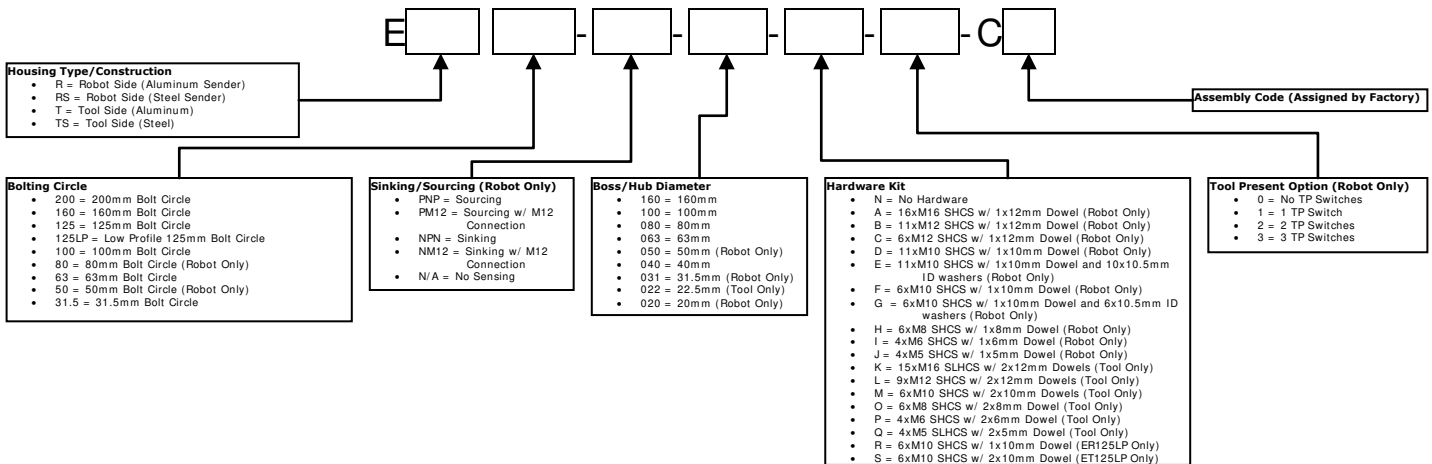


TOOL ADAPTOR

TOOL ADAPTOR WEIGHT: 1.22 kg [2.68 lbs]



PRODUCT DESCRIPTION



648 Saratoga Road
 Glensville, NY 12302 USA
 Tel: 518 384 1000
 Fax: 518 384 1200

Via Roma 141/143
 8017 San Maurizio
 d'Opaglio (NO) - Italy
 Tel: +39 (0) 32 29 65 93
 Fax: +39 (0) 32 29 50 686

www.arobotics.com