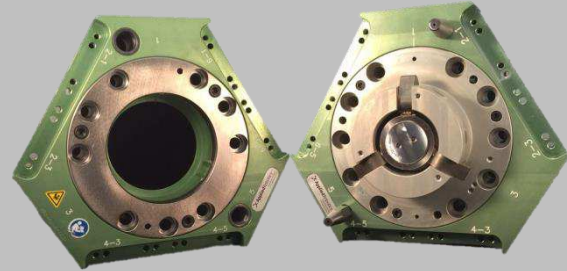


# EPSILON TOOL CHANGER ER160/ETS160

Applied Robotics automatic tool changing technology allows for exchanging robotic end-of-arm tooling (EOAT) on the fly without shutting down production lines. Not only does this add efficiency to processes requiring frequent connection/disconnection of tooling and support utilities, but also reduces the probability of human errors introduced by manual connections.



## SPECIFICATIONS

METRIC ENGLISH

### Mechanical

Payload	525 Kg	1,155 lbs
Maximum Operating Moment ( $M_x, M_y$ )	4,300 Nm	38,060 in-lbs
Maximum E-Stop Moment ( $M_x, M_y$ )	8,195 Nm	72,530 in-lbs
Maximum Operating Torque ( $M_z$ )	4,800 Nm	42,480 in-lbs
Maximum E-Stop Torque ( $M_z$ )	5,945 Nm	52,615 in-lbs
Maximum Tensile Force ( $F_T$ )	37,120 N	8,345 lbs
Maximum Compressive Force ( $F_C$ )	160,003 N	35,970 lbs
Positional Repeatability (X, Y & Z)	+/- 0.02 mm	+/- 0.0008 in
Operating Temperature	5 - 60 °C	40 - 140 °F

### Electrical/Pneumatic

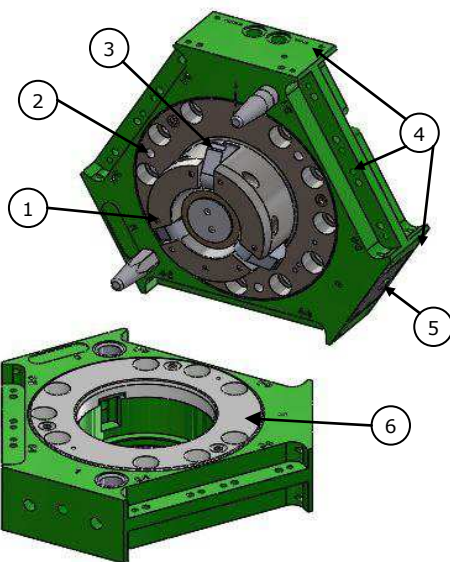
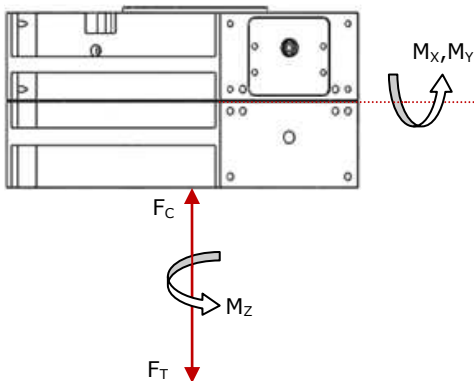
Supply Pressure	5 - 7 bar	72 - 101 psi
Couple/Uncouple Sensing Voltage	22 - 28 Vdc	22 - 28 Vdc

### Features & Benefits

- 1) High Strength Aluminum Alloy Body
- 2) Optional Tool Present
- 3) Cam Locking Mechanism with
  - o Self-Centering
  - o Wear Compensating
  - o Self-Cleaning
  - o Positive Cam Retraction
  - o Mechanical Locking (Loss of Air)
- 4) Flexible Utility Options
- 5) Couple/Uncouple Sensing with Pressure Detection
- 6) High Strength Steel Alloy Tool Ring

### Optional Utilities

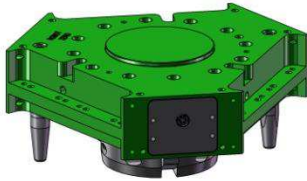
- Couple/Uncouple Valve Module (w/ Tool Stand Monitoring)
- Safety Control Module (SCM)
- Pneumatic Passthru
- Coolant Passthru
- I/O Communication (Discrete, DeviceNet, EIP, PROFINET IO, etc.)
- Servo (Power & Encoder/Resolver)
- High Power (Weld Power)



# PRODUCT INFORMATION

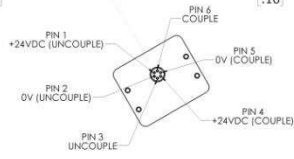
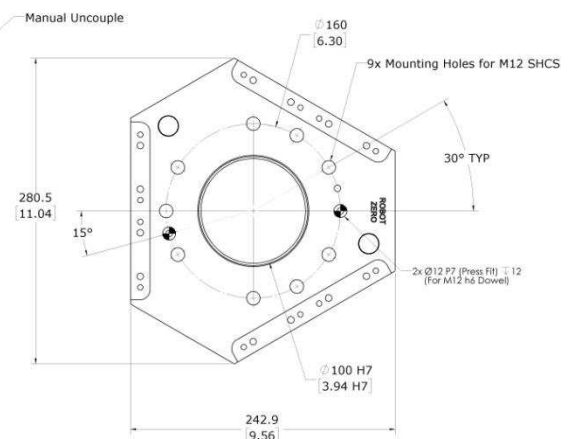
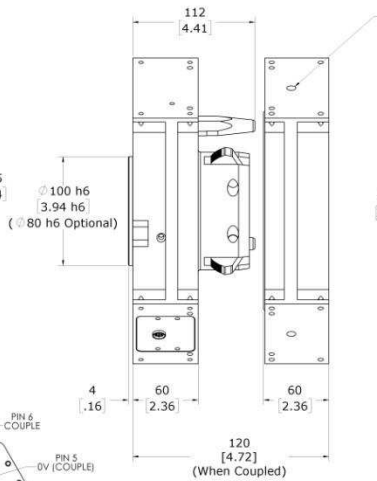
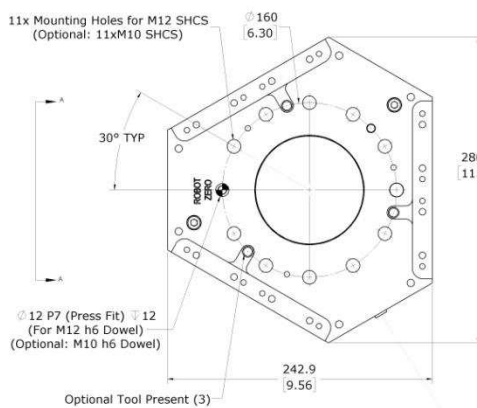
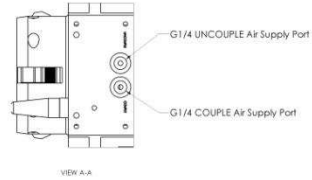
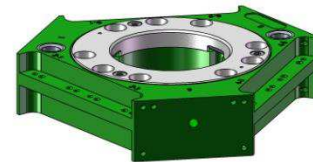
## ROBOT ADAPTOR

ROBOT ADAPTOR WEIGHT: 7.58 kg [16.68 lbs]

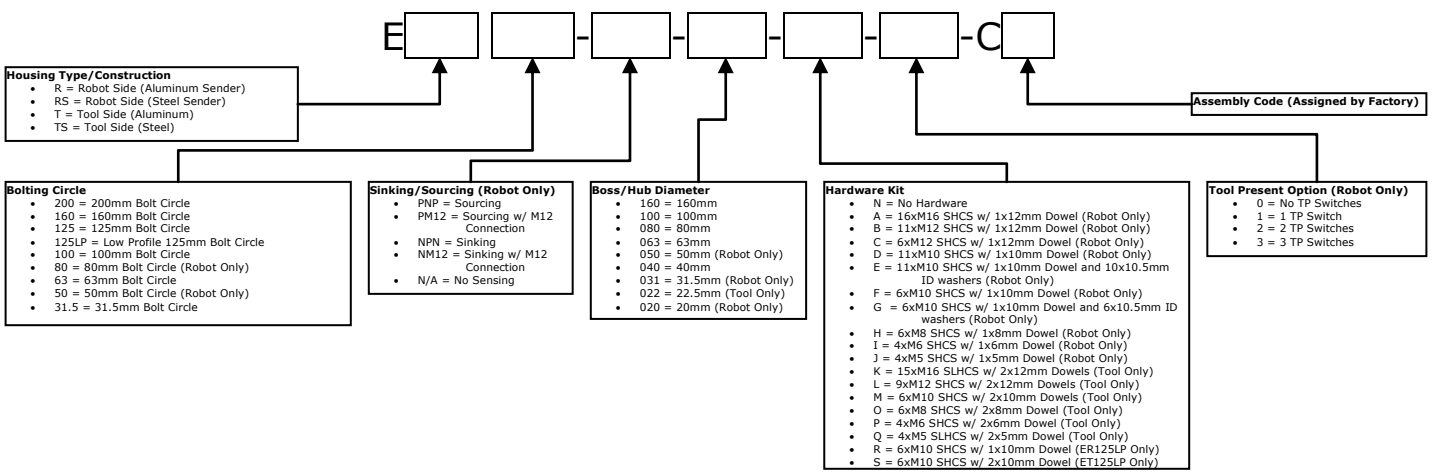


## TOOL ADAPTOR

TOOL ADAPTOR WEIGHT: 6.31 kg [13.88 lbs]



# PRODUCT DESCRIPTION



648 Saratoga Road  
 Glenville, NY 12302 USA  
 Tel: 518 384 1000  
 Fax: 518 384 1200

Via Roma 141/143  
 8017 San Maurizio  
 d'Opaglio (NO) - Italy  
 Tel: +39 (0) 32 29 65 93  
 Fax: +39 (0) 32 29 50 686

[www.arobotics.com](http://www.arobotics.com)