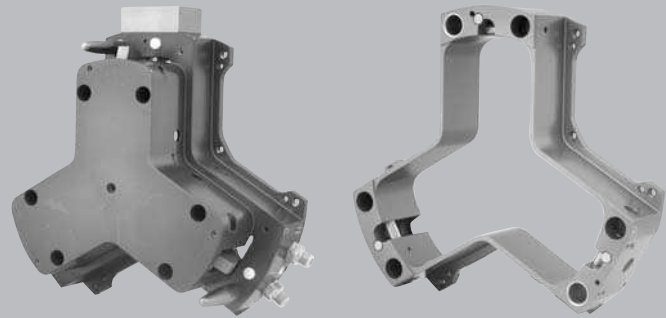


# Omega III - 3 Pocket

## Heavy Duty Modular Tool Changers

Applied Robotics offers a full line of robotic tool changers designed to minimize assembly line downtime. We can increase your productivity.



### Features and Benefits

- Your robot can perform multiple tasks with a simple tool change.
- When you're doing batchmode manufacturing, you can reduce line changeovers from hours to seconds.
- When you need modularity, the Omega III tool changer offers more options. As a mechanical unit, it offers the strength needed in heavy duty material handling applications. By simply adding high power, coolant and electrical modules, the Omega III becomes a spot welding gun changing system.
- When you're maintaining or repairing tools, you can have a second identical tool available that won't need calibration.
- When you have welding respot stations, one robot can handle multiple guns.

### Applications

- Spot welding (servo and pneumatic)
- Heavy duty Material handling
- Gantry Applications
- Palletizing

Not exactly what your application requires? Applied Robotics can design a solution that meets your particular application needs.

### SPECIFICATIONS

Moment Resistance Mx & My	see moment charts	
Torque Resistance Mz	1356 N-m	12000 in-lb
Position Repeatability X & Y	+/- 0.025 mm	+/- 0.001 in
Position Repeatability Z	+/- 0.013 mm	+/- 0.0005 in
Center of Mass (from robot faceplate)	72 mm	2.8 in
Weight (with robot and tool adaptor plates and mounting hardware)	9.70 kg	21.4 lb
Coupling Direction	Axial	
Operation Temperature Range	5 - 60 Deg C	40 - 140 Deg F

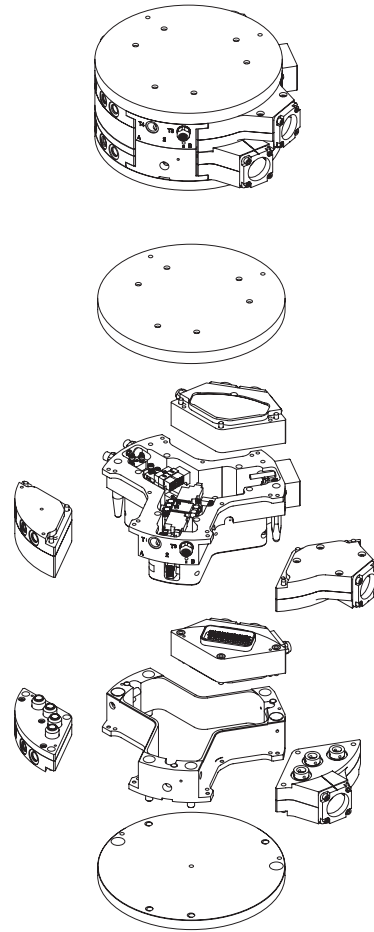
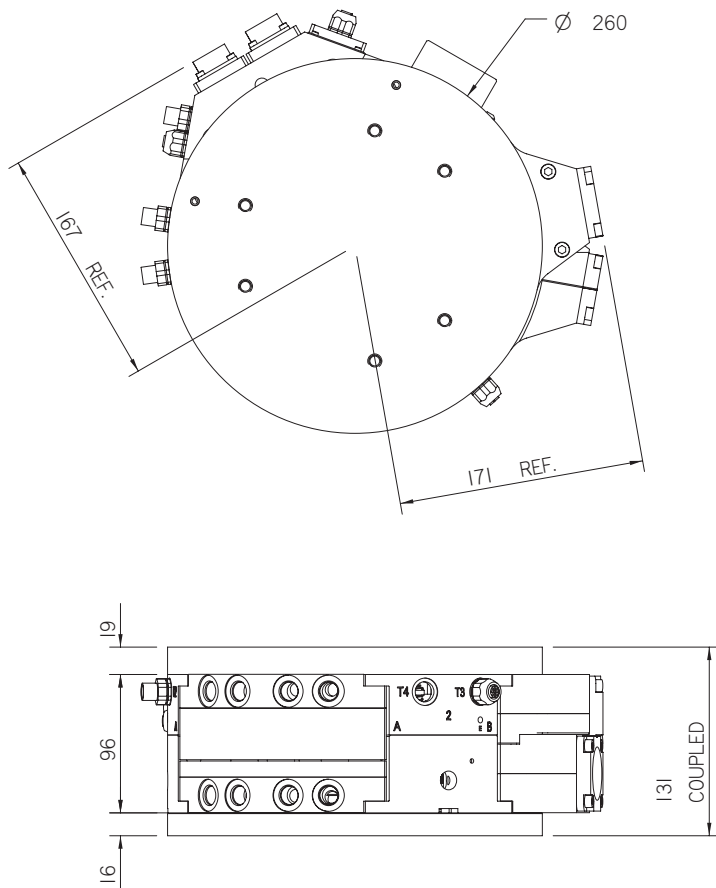
### ACTUATION

Couple/Uncouple Ports	1 each 1/4 NPT or BSPT	
Nominal Working Pressure Range	6 bar +/-1	87 +/- 15 psi

Note: Specifications provided are maximum recommended limits under static conditions. For correct product sizing, consideration must be given to all applicable dynamic forces, including manipulator inertia, tooling configuration and external process forces.

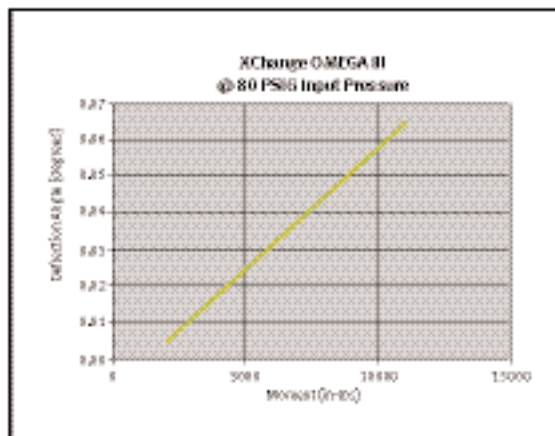
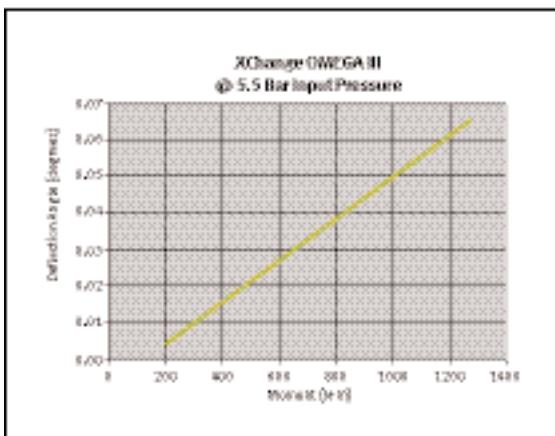
Note: For correct product sizing, please contact our Tech Support staff at [techsupport@arobotics.com](mailto:techsupport@arobotics.com) or via telephone at (800)309-3475 in NY or in MI at (248)358-3677.

# Engineering Data



All dimensions in millimeters

## Moment Charts (Moment/Deflection curve shown represents the orientation that yields maximum deflection)



648 Saratoga Road  
 Glenville, NY 12302 USA  
 518 384 1000 tel  
 518 384 1200 fax

29193 Northwestern Hwy. #509  
 Southfield, MI 48034 USA  
 248 358 3677 tel  
 248 358 2654 fax

[www.arobotics.com](http://www.arobotics.com)

