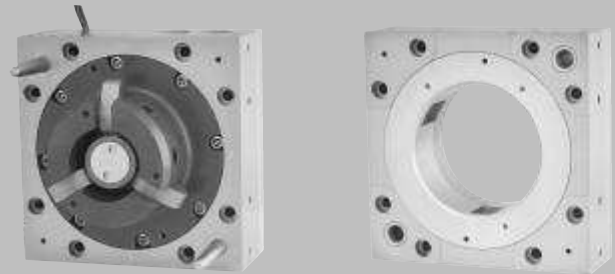


# MXC160 QuickConnect

QuickConnect modular connection systems are designed for automated equipment that requires frequent connection and disconnection of utilities.



## Features and Benefits

- The family of QuickConnect system is the most flexible connection system on the market.
- 4 open module locations are provided for custom configuration of the MXC160 for your application.

## Utility Capabilities

- Primary Power
- Pneumatics
- Hydraulics
- Coolant Liquids
- Vacuum
- Communications
- Control Logic
- Video

## Applications

- Test Benches
- Robotic Tool Changing
- Mold Changing
- Power clamps and work holding fixtures
- Rotary Turntables
- Docking Systems

Not exactly what your application requires? Applied Robotics can design a solution that meets your particular application needs.

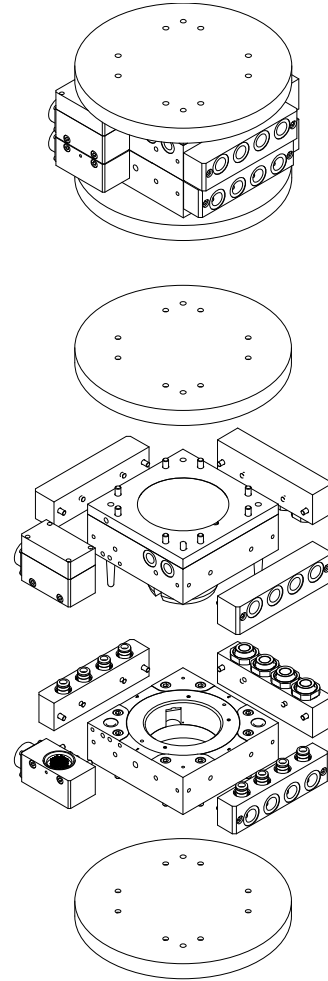
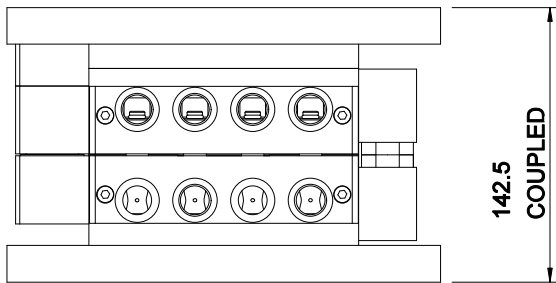
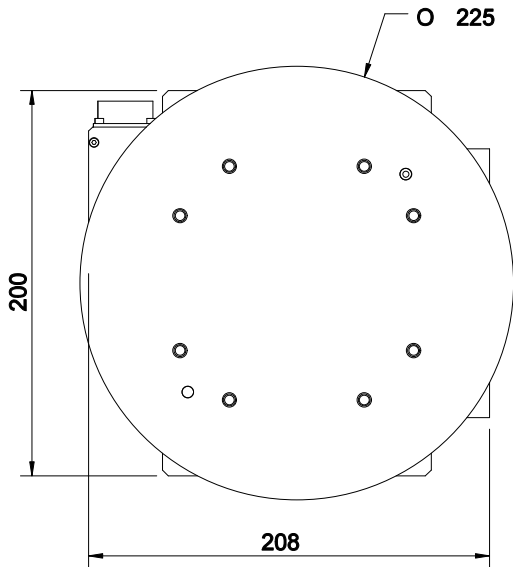
Specifications	Master Adaptor	Tool Adaptor
Payload	160 kg (353 lb)	160kg (353 lb)
Moment—Mx, My	1,000 N-m (8,851 in-lb)	1,000 N-m (8,851 in-lb)
Moment—Mz	1,200 N-m (10,621 in-lb)	1,200 N-m (10,621 in-lb)
Height	57 mm (2.26 in)	47 mm (1.85 in)
Width x Length	140 mm x 140mm (5.51 in x 5.51 in)	140 mm x 140 mm (5.51 in x 5.51 in)
Weight	4.0 kg (8.7 lb)	1.9 kg (4.18 lb)
Couple/Uncouple	1/4 BSPP	na
Repeatability—X,Y	± 0.04mm (.002in)	± 0.04 mm (.002 in)
Repeatability—Z	± 0.04 mm (.002 in)	± 0.04 mm (.002in)
Operation Temperature	5—60 Degree C (21-140 Deg F)	5—60 Degree C (21-140 Deg F)
Operating Pressure	6 bar +/- 1 (87+/- 15 psi)	6 bar +/- 1 (87+/- 15 psi)

\* COUPLE STATUS SENSOR UNIT AVAILABLE

Note: Specifications provided are maximum recommended limits under static conditions. For correct product sizing, consideration must be given to all applicable dynamic forces, including manipulator inertia, tooling configuration and external process forces.

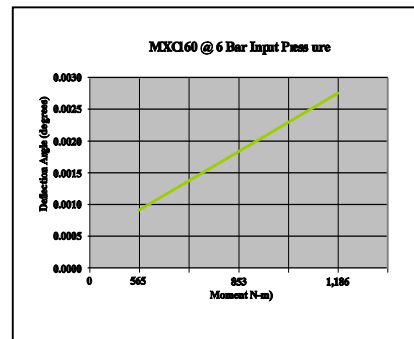
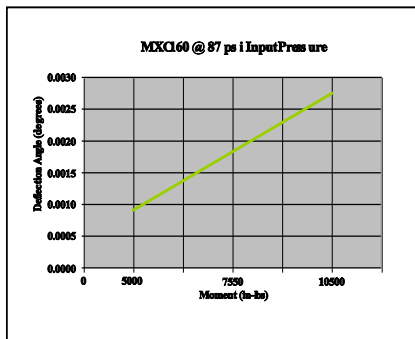
Note: For correct product sizing, please contact our Tech Support staff at [techsupport@appliedrobotics.com](mailto:techsupport@appliedrobotics.com) or via telephone at (800)399-3475 in NY or in MI at (248)358-3677, or in Italy at +39 0322 96593.

# Engineering Data



All dimensions in millimeters

# Moment Charts



Applied Robotics Inc.  
648 Saratoga Road  
Glenville, NY 12302 USA  
518 384 1000 tel  
518 384 1200 fax

Applied Robotics Inc.  
540 North Lapeer Road #365 Orion  
Township, MI 48362 USA  
248 358 3677 tel  
248 358 2654 fax

Applied Robotics Europe  
Via Roma 141/143  
28017 San Maurizio d'Opaglio (NO) -Italy  
Tel: +39 0322 96593  
Email: [info@appliedrobotics.eu](mailto:info@appliedrobotics.eu)

[www.arobotics.com](http://www.arobotics.com)

