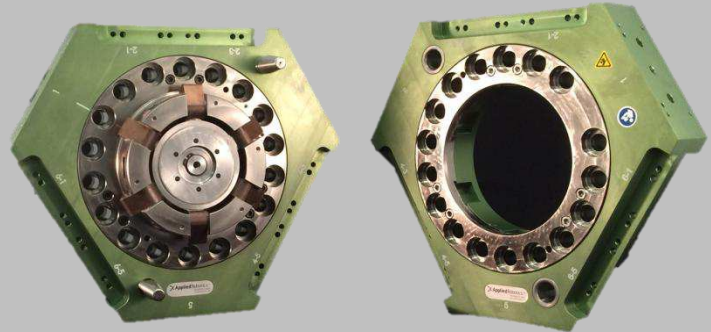


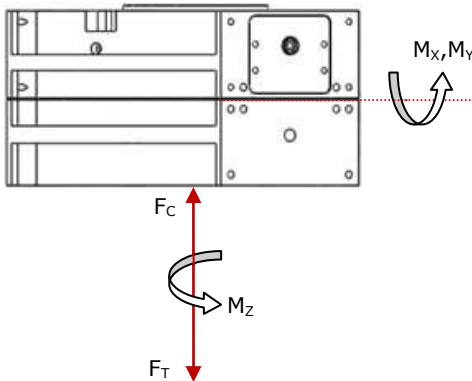
EPSILON TOOL CHANGER

ERS200/ETS200

Applied Robotics automatic tool changing technology allows for exchanging robotic end-of-arm tooling (EOAT) on the fly without shutting down production lines. Not only does this add efficiency to processes requiring frequent connection/disconnection of tooling and support utilities, but also reduces the probability of human errors introduced by manual connections.



SPECIFICATIONS



Mechanical

	METRIC	ENGLISH
Payload	1,500 Kg	3,300 lbs
Maximum Operating Moment (M_x, M_y)	10,395 Nm	92,000 in-lbs
Maximum E-Stop Moment (M_x, M_y)	17,998 Nm	159,300 in-lbs
Maximum Operating Torque (M_z)	11,660 Nm	103,200 in-lbs
Maximum E-Stop Torque (M_z)	14,590 Nm	129,130 in-lbs
Maximum Tensile Force (F_T)	96,393 N	21,670 lbs
Maximum Compressive Force (F_c)	246,031 N	55,310 lbs
Positional Repeatability (X, Y & Z)	+/- 0.02 mm	+/- 0.0008 in
Operating Temperature	5 - 60 °C	40 - 140 °F

Electrical/Pneumatic

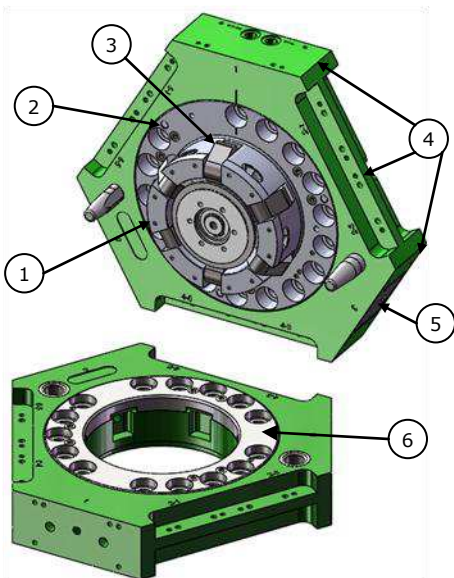
Supply Pressure	5 - 7 bar	72 - 101 psi
Couple/Uncouple Sensing Voltage	22 - 28 VDC	22 - 28 VDC

Features & Benefits

- 1) High Strength Steel Alloy Body
- 2) Optional Tool Present
- 3) Cam Locking Mechanism with **Lifetime Guarantee**
 - o Self-Centering
 - o Wear Compensating
 - o Self-Cleaning
 - o Positive Cam Retraction
 - o Mechanical Locking (Loss of Air)
- 4) Flexible Utility Options
- 5) Couple/Uncouple Sensing (Pressure Detection)
- 6) High Strength Steel Alloy Tool Ring

Optional Utilities

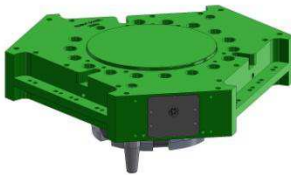
- Couple/Uncouple Valve Module (w/ Tool Stand Monitoring)
- Safety Control Module (SCM)
- Pneumatic pass thru
- Coolant pass thru
- I/O Communication (Discrete, DeviceNet, EIP, PROFINET IO, etc.)
- Servo (Power & Encoder/Resolver)
- High Power (Weld Power)



PRODUCT INFORMATION

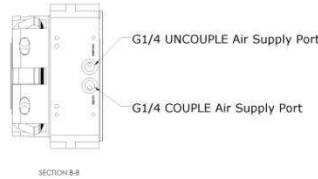
ROBOT ADAPTOR

ROBOT ADAPTOR WEIGHT: 19.09 kg [42.00 lbs]

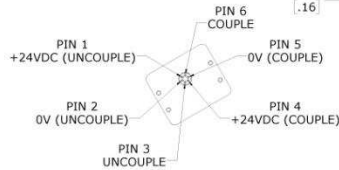
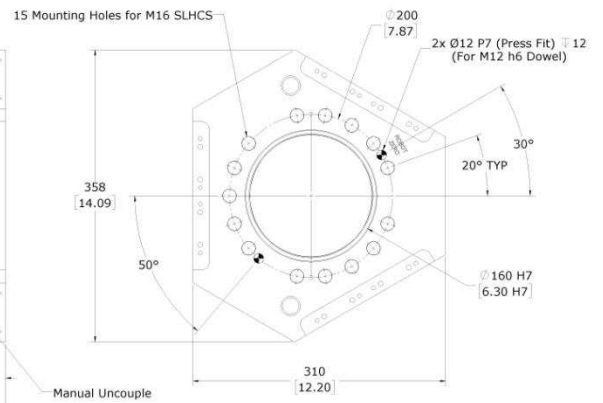
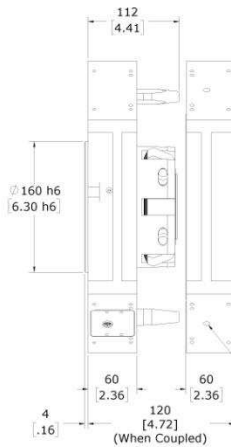
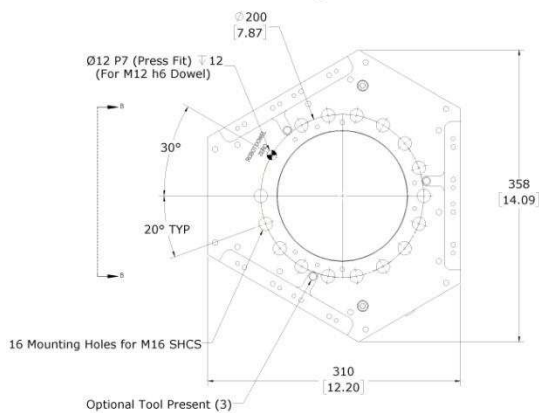


TOOL ADAPTOR

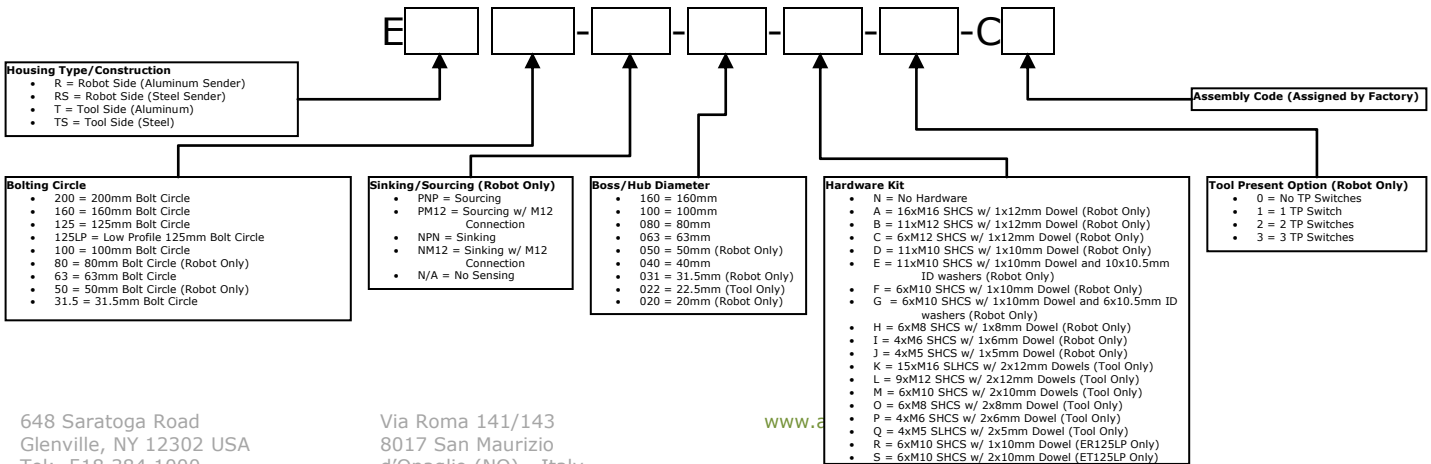
TOOL ADAPTOR WEIGHT: 9.44 kg [20.77 lbs]



SECTION B-B



PRODUCT DESCRIPTION



648 Saratoga Road
 Glenville, NY 12302 USA
 Tel: 518 384 1000
 Fax: 518 384 1200

Via Roma 141/143
 8017 San Maurizio
 d'Opaglio (NO) - Italy
 Tel: +39 (0) 32 29 65 93
 Fax: +39 (0) 32 29 50 686

www.z...