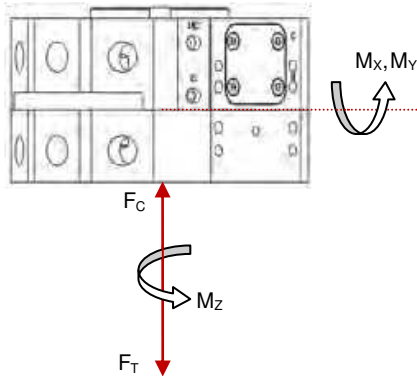


EPSILON TOOL CHANGER ER50/ET63

Applied Robotics automatic tool changing technology allows for exchanging robotic end-of-arm tooling (EOAT) on the fly without shutting down production lines. Not only does this add efficiency to processes requiring frequent connection/disconnection of tooling and support utilities, but also reduces the probability of human errors introduced by manual connections.



SPECIFICATIONS



METRIC **ENGLISH**

Mechanical

Payload	25 Kg	55 lbs
Maximum Operating Moment (M_x, M_y)	88 Nm	780 in-lbs
Maximum E-Stop Moment (M_x, M_y)	168 Nm	1,485 in-lbs
Maximum Operating Torque (M_z)	120 Nm	1,060 in-lbs
Maximum E-Stop Torque (M_z)	375 Nm	3,320 in-lbs
Maximum Tensile Force (F_T)	3,336 N	750 lbs
Maximum Compressive Force (F_C)	17,837 N	4,010 lbs
Positional Repeatability (X, Y & Z)	+/- 0.02 mm	+/- 0.0008 in
Operating Temperature	5 - 60 °C	40 - 140 °F

Electrical/Pneumatic

Supply Pressure	5 - 7 bar	72 - 101 psi
Couple/Uncouple Sensing Voltage (Optional)	10 - 30 Vdc	10 - 30 Vdc
User Pneumatic Pressure Range	0 - 7 bar	0 - 101 psi
User Pneumatic Flow (CFM)		

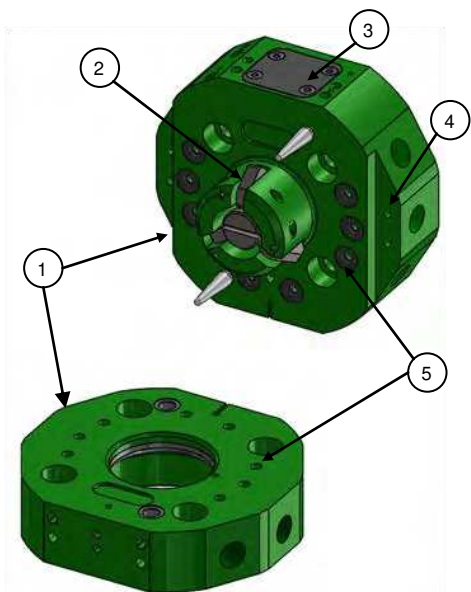
** Contact Applications Engineering**

Features & Benefits

- 1) High Strength Aluminum Alloy Body
- 2) Cam Locking Mechanism with **Lifetime Guarantee**
 - o Self-Centering
 - o Wear Compensating
 - o Self-Cleaning
 - o Positive Cam Retraction
- 3) Optional Couple/Uncouple Sensing
- 4) Optional Tool Present Sensing
- 5) 8x G1/8 User Pneumatic Ports

Optional Utilities

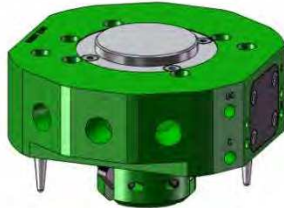
- Electrical Passthru (Signal, Communication, etc.)



PRODUCT INFORMATION

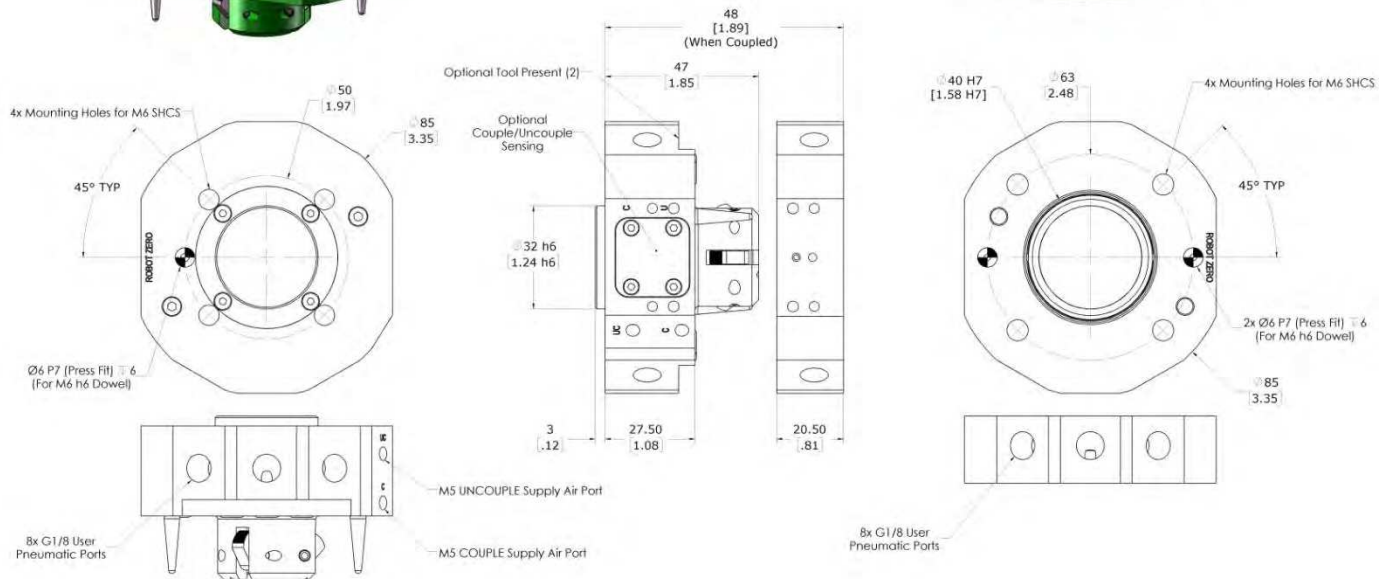
ROBOT ADAPTOR

ROBOT ADAPTOR WEIGHT: 0.38 kg [0.84 lbs]

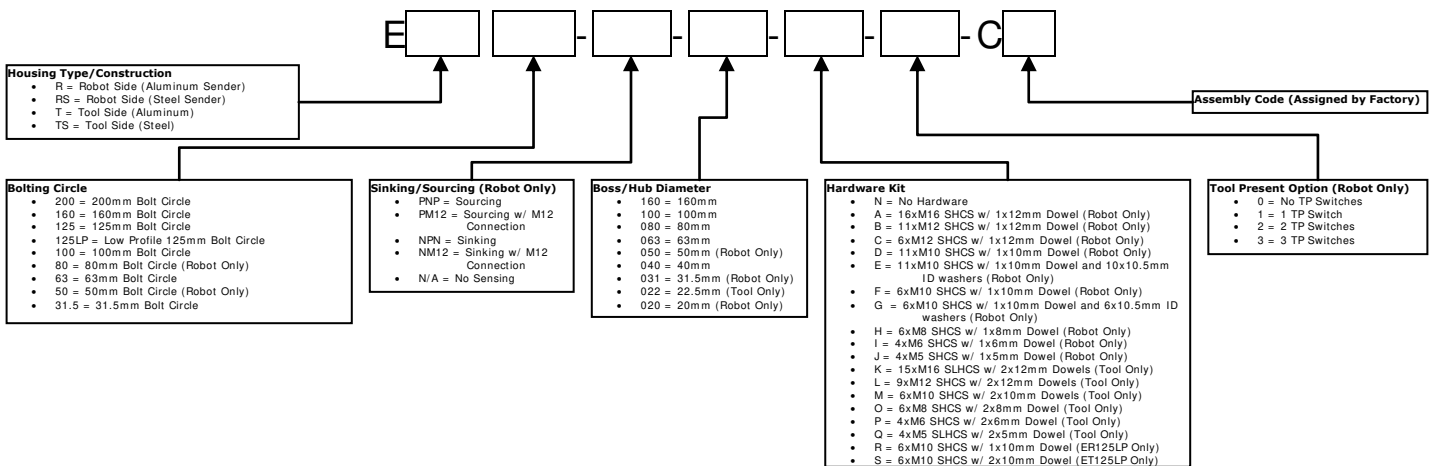


TOOL ADAPTOR

TOOL ADAPTOR WEIGHT: 0.21 kg [0.46 lbs]



PRODUCT DESCRIPTION



648 Saratoga Road
 Glenville, NY 12302 USA
 Tel: 518 384 1000
 Fax: 518 384 1200

Via Roma 141/143
 8017 San Maurizio
 d'Opaglio (NO) - Italy
 Tel: +39 (0) 32 29 65 93
 Fax: +39 (0) 32 29 50 686

www.arobotics.com