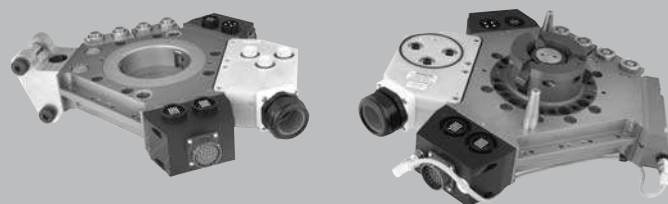


Sigma 5.1

Heavy-duty modular tool changers

With a payload capacity of 500kg, the Sigma 5.1 brings greater modularity and exceptional strength to the heaviest jobs in factory production.



Features and Benefits

- Highest payload capacity of 500kg
- Unique six-sided design accommodates more utilities
- A Sigma 5.1 and Sigma 3.1 common profile provides modularity and allows for interchangeability of utility modules
- Eliminate adaptor plates for lower weight, and increased strength and efficiency
- Low profile reduces inertial forces
- Supports wide variety of bus communication systems

Applications

- Spot welding
- Material handling
- Machine loading/unloading
- Mold changing
- Docking systems
- Pallet coupling systems
- Pick and place operations
- Press transfer

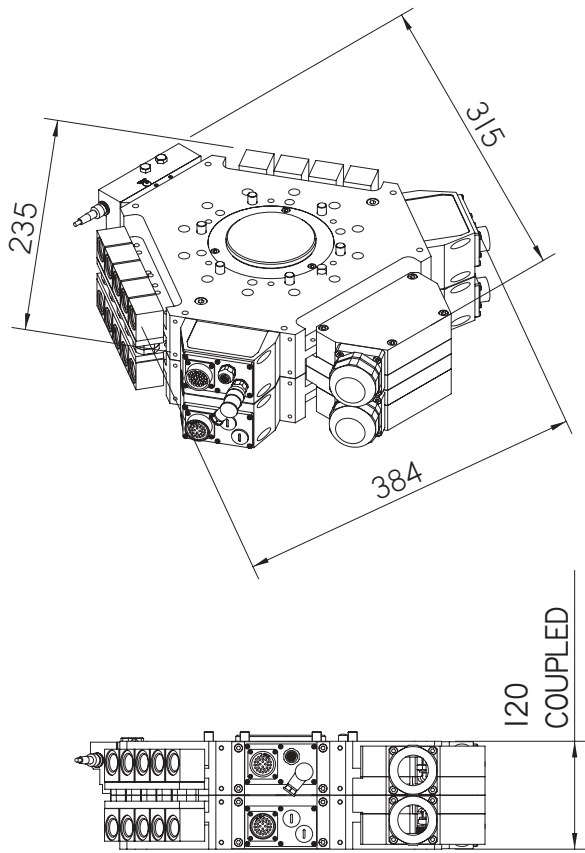
Not exactly what your application requires? Applied Robotics can design a solution that meets your particular application needs.

SPECIFICATIONS

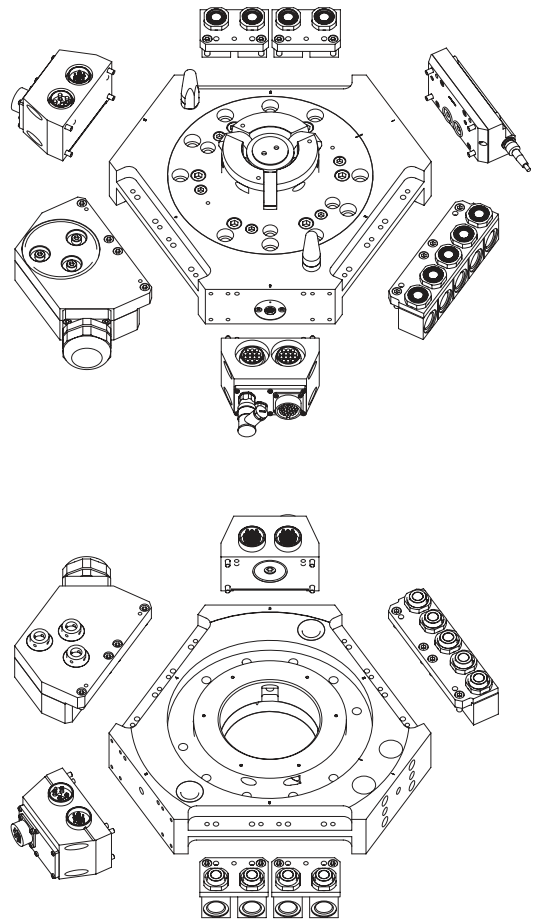
Description	Robot Adaptor	Tool Adaptor
Payload	500 kg	
Moment – Mx, My	2,937 Nm	
Moment – Mz	3,084 Nm	
Height	60 mm	60 mm
Width x Length	310 mm x 358 mm	
Weight	11.34 kg	8.66 kg
Couple/Uncouple Port	1/4 BSPP	na
Couple Status Sensor	Couple/Uncouple	na
Repeatability – X,Y	+/- 0.02 mm	
Repeatability – Z	+/- 0.013 mm	
Operating Temp.	5 – 60 Deg C	
Operating Pressure	6 bar +/- 1	

Note: Specifications provided are maximum recommended limits under static conditions. For correct product sizing, consideration must be given to all applicable dynamic forces, including manipulator inertia, tooling configuration and external process forces.

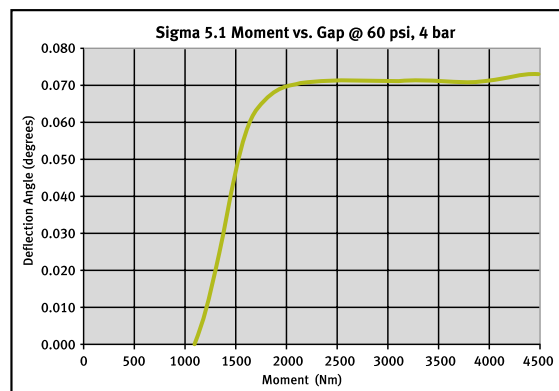
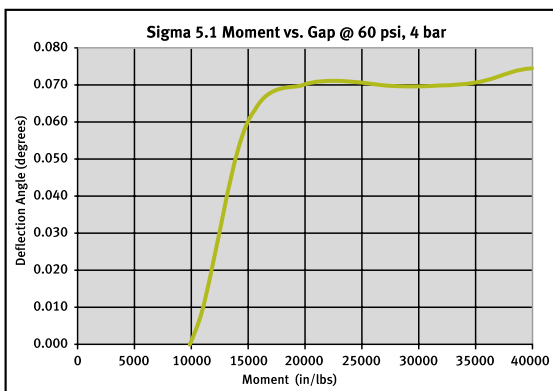
Engineering Data



All dimensions in millimeters



Moment Charts (Moment/Deflection curve shown represents the orientation that yields maximum deflection)



648 Saratoga Road
 Glenville, NY 12302 USA
 518 384 1000 tel
 518 384 1200 fax

27698 Franklin Road
 Southfield, MI 48034 USA
 248 358 3677 tel
 248 358 2897 fax

Route de Wallonie, 4
 B-7011 Ghlin Belgium
 +32 (0) 65 80 38 41 tel
 +32 (0) 65 80 38 42 fax

www.arobotics.com

