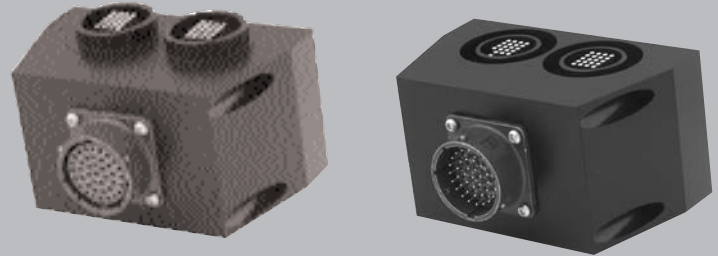


# Sigma I/O Module

Highly interchangeable. Highly configurable.

The Sigma I/O Module is designed to work with the Sigma 3.1 and Sigma 5.1 tool change systems in a variety of applications – from spot welding and mold changing to pick-and-place operations.



## Features and Benefits

- Flexible I/O module system supports different signal requirements
- Available with strain relief, connectors and pre-wired, ready-to-couple signal
- Modules are interchangeable between the Sigma 3.1 and Sigma 5.1 modules

Not exactly what your application requires? Applied Robotics can design a solution that meets your particular application needs.

## SPECIFICATIONS

Robot Module weight	0.94 kg / 2.1 lb
Tool Machine weight	0.84 kg / 1.9 lb
Current/Probe	5 amps
Resistance/Probe	50 (mOhm)
Wire Gauge for Receptacles	22 - 26 AWG

## EXTERNAL ELECTRICAL MODULE

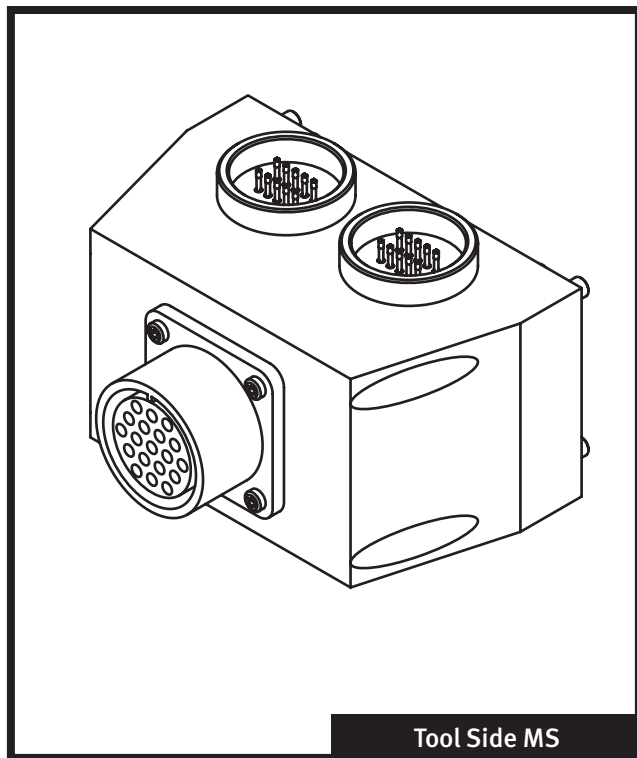
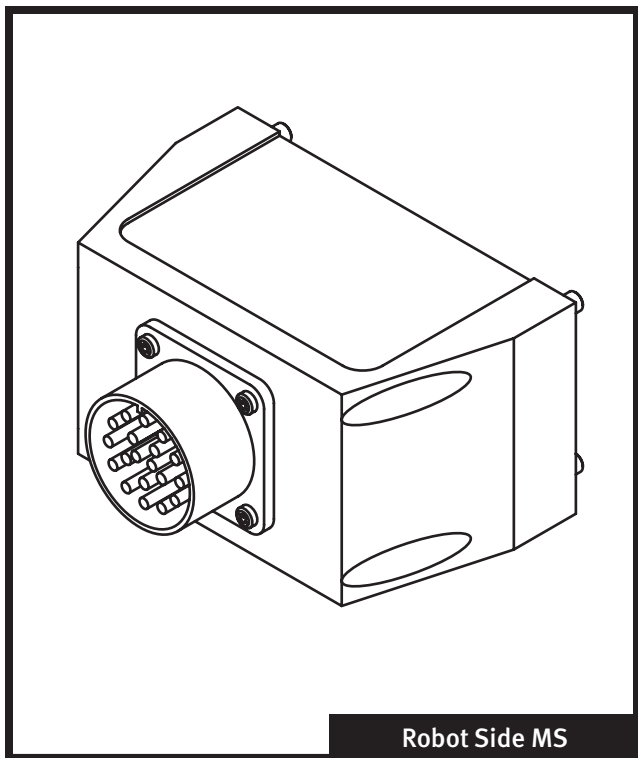
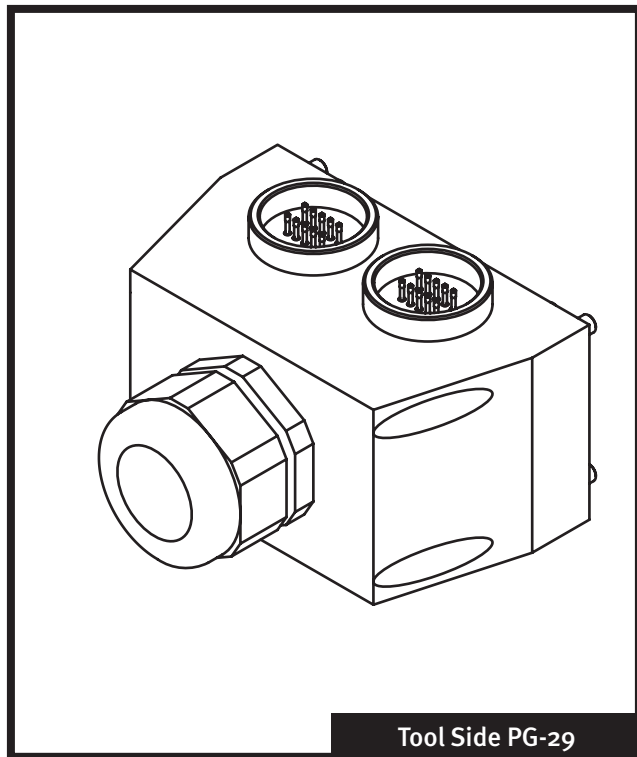
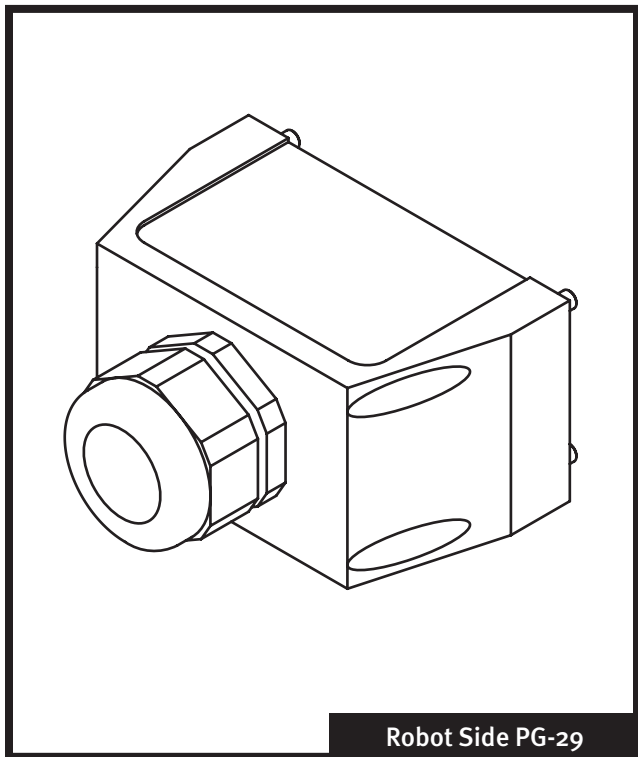
Order #	Description	Spring Force (lbf)	No. Probes		Mating Connector
			Total	User I/O	
S-EM-R-E-32.05-MS	XChange Electrical Module, Robot	25	40	32	KPT08F22-36S
S-EM-T-E-32.05-MS	XChange Electrical Module, Tool	25	40	32	KPT08F22-36P
S-EM-R-E-13.05-MS	XChange Electrical Module, Robot	12.5	20	13	MS3108B22-14S
S-EM-T-E-13.05-MS	XChange Electrical Module, Tool	12.5	20	13	MS3108B22-14P
S-EM-R-E-27.05-MS-VD*	XChange Electrical Module, Robot	25	40	29	KPT08F22-36S
S-EM-T-E-27.05-MS-VD*	XChange Electrical Module, Tool	25	40	29	KPT08F22-36P

\* need for use with valve module

Note: Specifications provided are maximum recommended limits under static conditions. For correct product sizing, consideration must be given to all dynamic forces, including manipulator inertia, tooling configuration and external process forces.

Note: For correct product sizing, please contact our Tech Support staff at techsupport@arobotics.com or at (800)309-3475 or (518)384-1000.

# Engineering Data



648 Saratoga Road  
Glenville, NY 12302 USA  
518 384 1000 tel  
518 384 1200 fax

29193 Northwestern Hwy. #509  
Southfield, MI 48034 USA  
248 358 3677 tel  
248 358 2654 fax

[www.arobotics.com](http://www.arobotics.com)

