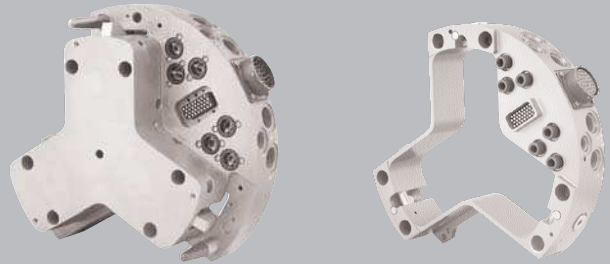


Omega III

Heavy-duty modular tool changers.

When you need a more flexible robot. Now your robot can perform multiple tasks with a simple tool change.



Features and Benefits

- Your robot can perform multiple tasks with a simple tool change.
- When you're doing batchmode manufacturing, reduce line changeovers from hours to seconds.
- When you need modularity, the Omega III tool changer offers more options. As a mechanical unit, it offers the strength needed in heavy duty material handling applications. By simply adding high power, coolant and electrical modules, the Omega III becomes a spot welding gun changing system.
- When you're maintaining or repairing tools, you can have a second identical tool available that won't need calibration.
- When you have welding respont stations, one robot can handle as many guns as you need.

Applications

- Spot welding
- Heavy dutyMaterial handling
- Gantry applications
- Palletizing

PERFORMANCE

Moment Resistance M_x & M_y	See Graph	
Torque Resistance M_z	6 N-m	50 in-lb
Maximum Axial Tensile Force (until separation of unit occurs*)	324 N @ 6 bar couple port input pressure	73 lb @ 87 psi couple port input pressure
Position Repeatability X & Y	+/- 0.013 mm	+/- 0.0005 in
Position Repeatability Z	+/- 0.005 mm	+/- 0.0002 in
Center of Mass (from robot faceplate)	12.7 mm	0.5 in
Weight (with robot adaptor plate)	0.162 kg	0.41 lb
Coupling Direction	Axial	

Note: *Separation during extreme overloads provides a "clutching" effect to help prevent damage

ROBOT - TO -TOOL UTILITIES

User Electrical Lines	25 @ 2 amps each	
User Pneumatic Ports	(6) M3	
Pressure range	1 10 bar	15 - 145 psi

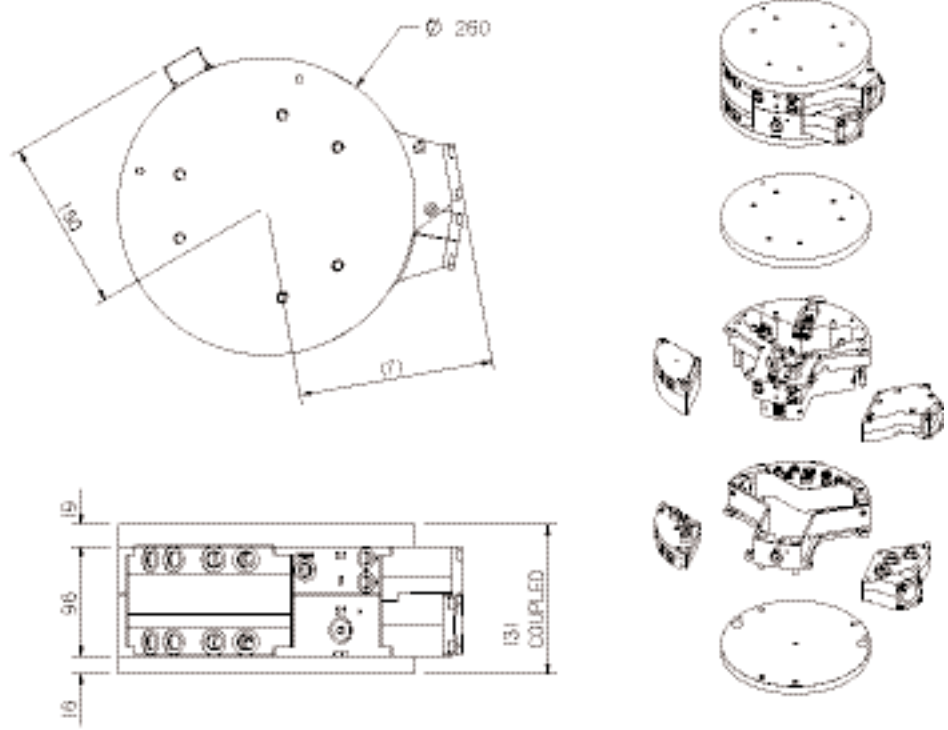
ACTUATION

Couple & Uncouple Ports	1 each M3	
Nominal Working Pressure Range	6 bar +/- 1	87 psi +/- 15

Note: Specifications provided are maximum recommended limits under static conditions. For correct product sizing, consideration must be given to all applicable dynamic forces, including manipulator inertia, tooling configuration and external process forces.

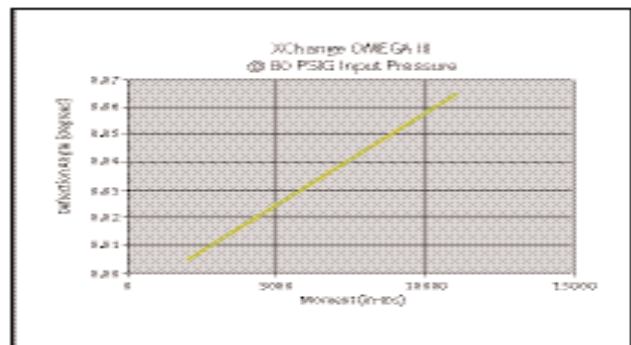
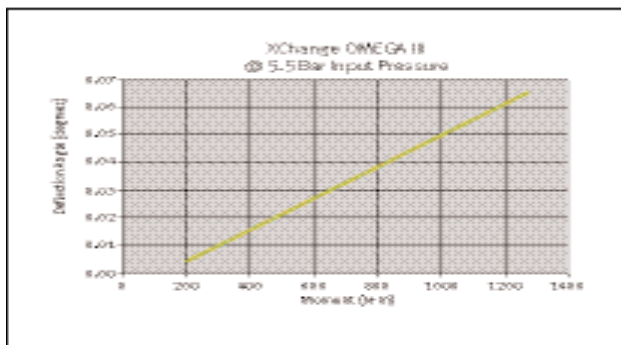
Note: For correct product sizing, please contact our Tech Support staff at techsupport@arobotics.com or at (518)384-1000.

Engineering Data



All dimensions in millimeters

Moment Charts



648 Saratoga Road
 Glenville, NY 12302 USA
 518 384 1000 tel
 518 384 1200 fax

29193 Northwestern Hwy. #509
 Southfield, MI 48034 USA
 248 358 3677 tel
 248 358 2654 fax

www.arobotics.com

