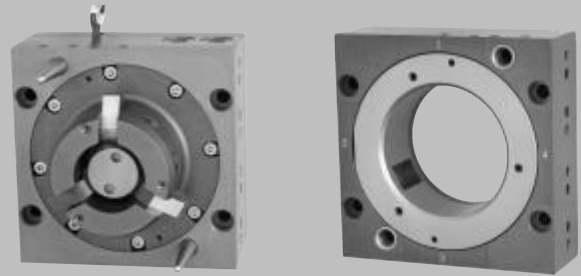


# MXC75 QuickConnect

QuickConnect modular connection systems are designed for automated equipment that requires frequent connection and disconnection of utilities.



## Features and Benefits

- The family of QuickConnect system is the most flexible connection system on the market.
- 4 open module locations are provided for custom configuration of the MXC75 for your application.

## Utility Capabilities

- Primary Power
- Pneumatics
- Hydraulics
- Coolant Liquids
- Vacuum
- Communications
- Control Logic
- Video

## Applications

- Test Benches
- Robotic Tool Changing
- Power clamps and work holding fixtures
- Rotary Turntables
- Docking Systems

Not exactly what your application requires? Applied Robotics can design a solution that meets your particular application needs.

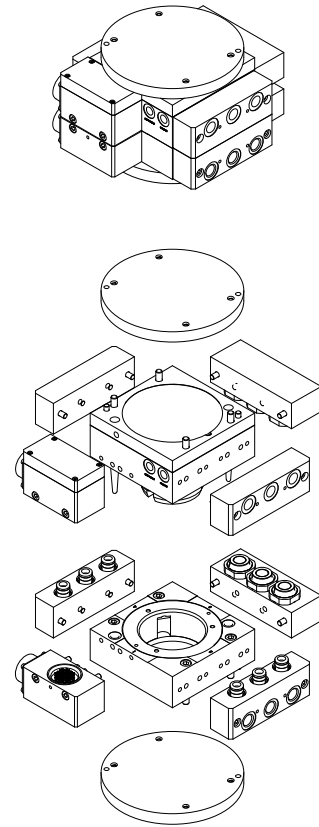
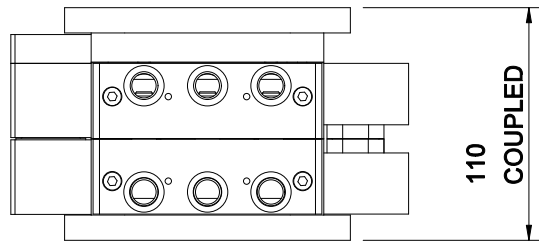
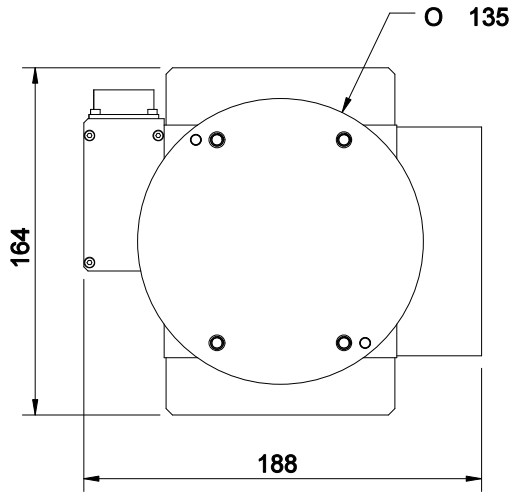
Specifications		
Payload	75 kg (165 lb)	75 kg (165 lb)
Moment—Mx, My	500 N-m (4,425 in-lb)	500 N-m (4,425 in-lb)
Moment—Mz	500 N-m (4,425 in-lb)	500 N-m (4,425 in-lb)
Height	50 mm (1.97 in)	36 mm (1.42 in)
Width x Length	110 mm x 110 mm (4.33 in x 4.33 in)	110 mm x 110 mm (4.33 in x 4.33 in)
Weight	1.7 kg (3.7 lb)	0.9 kg (2 lb)
Couple/Uncouple	1/8 BSPP	na
Repeatability—X,Y	± 0.025 mm (.001 in)	± 0.025 mm (.001 in)
Repeatability—Z	± 0.025 mm (.001 in)	± 0.025 mm (.001 in)
Operation	5—60 Degree C	5—60 Degree C
Operating Pressure	6 bar +/- 1 (87+/- 15 psi)	6 bar +/- 1 (87+/- 15 psi)

\* COUPLE STATUS SENSOR UNIT AVAILABLE

Note: Specifications provided are maximum recommended limits under static conditions. For correct product sizing, consideration must be given to all applicable dynamic forces, including manipulator inertia, tooling configuration and external process forces.

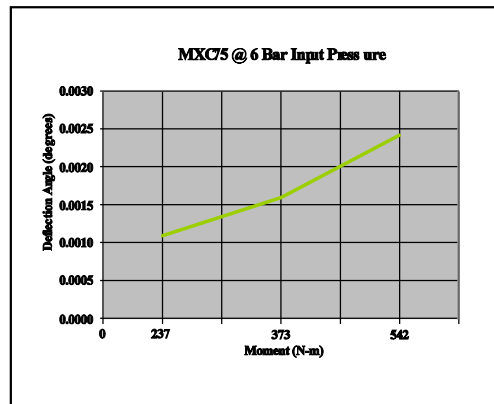
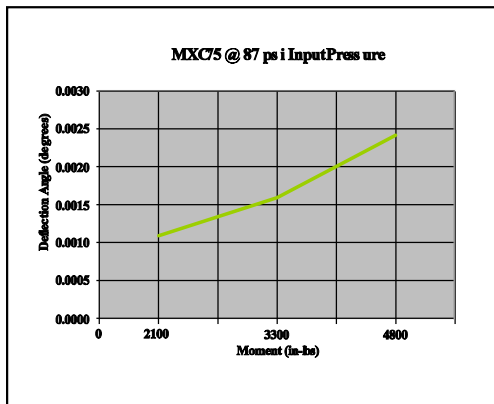
Note: For correct product sizing, please contact our Tech Support staff at [techsupport@appliedrobotics.com](mailto:techsupport@appliedrobotics.com) or via telephone at (800)399-3475 in NY or in MI at (248)358-3677, or in Italy at +39 0322 96593.

# Engineering Data



All dimensions in millimeters

## Moment



Applied Robotics Inc.  
648 Saratoga Road  
Glenville, NY 12302 USA  
518 384 1000 tel  
518 384 1200 fax

Applied Robotics Inc.  
540 North Lapeer Road #365 Orion  
Township, MI 48362 USA  
248 358 3677 tel  
248 358 2654 fax

Applied Robotics Europe  
Via Roma 141/143  
28017 San Maurizio d'Opaglio (NO) -Italy  
Tel: +39 0322 96593  
Email: [info@appliedrobotics.eu](mailto:info@appliedrobotics.eu)

[www.arobotics.com](http://www.arobotics.com)

