

# MXC160 Modules QuickConnect

QuickConnect modular connection systems are designed for automated equipment that requires frequent connection and disconnection of utilities.



### Features and Benefits

- The family of QuickConnect system is the most flexible connection system on the market.
- 4 open module locations are provided for custom configuration of the MXC160 for your application.

Not exactly what your application requires? Applied Robotics can design a solution that meets your particular application needs.

### Applications

- Test Benches
- Robotic Tool Changing
- Mold Changing
- Power clamps and work holding fixtures
- Rotary Turntables
- Docking Systems
- Power Clamps and work holding fixtures
- Pallet Coupling Systems

### Engineering Data



### ELECTRIC MODULE

Description	Weight	Pass through utilities	Connector	Material
<b>Master Adaptor</b>	.20kg (.44lb)	28 contacts @ 5 Amp, 0-240 VAC/VDC	32 pin mil spec	Delrin w/Gold plated contacts
<b>Tool Adaptor</b>	.15 kg (.33lb)	28 contacts @ 5 Amp, 0-240 VAC/VDC	32 pin mil spec	Delrin w/Gold plated contacts

**Master Adaptor overall dimensions:**  
85.5 mm (3.36 in) x 38 mm (1.49 in) x 61 mm (2.40 in)

**Tool Adaptor overall dimensions:**  
85.5 mm (3.36 in) x 38 mm (1.49 in) x 36 mm (1.41 in)

continued

# Engineering Data

## PNEUMATIC MODULE



Description	Weight	Pass through utilities	Pressure	Cv	Material
<b>Master Adaptor</b>	0.34 kg (.75 lb)	(4) Checked Valved 3/8 BSPP Ports	0.15 bar (0-220psi)	1.11	Aluminum
<b>Tool Adaptor</b>	0.24 kg (.53 lb)	(4) 3/8 BSPP Ports	0.15 bar (0-220psi)	1.11	Aluminum

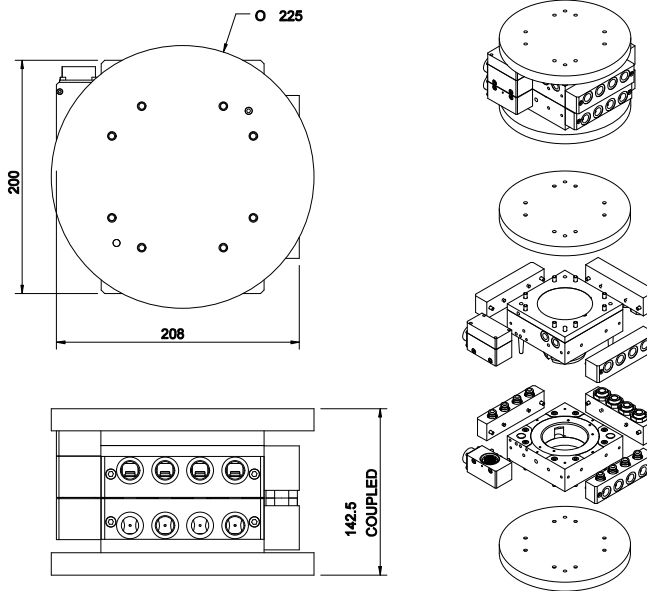
**Master Adaptor Overall dimensions:**  
 139.5 mm (5.49 in) x 30 mm (1.18 in) x 35mm (1.37 in)  
**Tool Adaptor Overall dimensions:**  
 139.5 mm (5.49 in) x 25 mm (.98 in) x 35mm (1.37 in)

## WATER/COOLANT MODULE



Description	Weight	Pass through utilities	Pressure	Cv	Material
<b>Master Adaptor</b>	0.59 kg (1.30 lb)	(4) Checked Valved 3/8 BSPP Ports	0.6 bar (0-87psi)	1.54	Aluminum/Chrome Plated Brass
<b>Tool Adaptor</b>	0.59 kg (1.30 lb)	(4) Checked Valved 3/8 BSPP Ports	0.6 bar (0-87psi)	1.54	Aluminum/Chrome Plated Brass

**Master Adaptor Overall dimensions:**  
 139.5 mm (5.49 in) x 30 mm (1.18 in) x 38 mm (1.49 in)  
**Tool Adaptor Overall dimensions:**  
 139.5 mm (5.49 in) x 25 mm (.98 in) x 30 mm (1.18 in)



All dimensions in millimeters

Applied Robotics Inc.  
 648 Saratoga Road  
 Glensville, NY 12302 USA  
 518 384 1000 tel  
 518 384 1200 fax

Applied Robotics Inc.  
 540 North Lapeer Road #365 Orion  
 Township, MI 48362 USA  
 248 358 3677 tel  
 248 358 2654 fax

Applied Robotics Europe  
 Via Roma 141/143  
 28017 San Maurizio d'Opaglio (NO) -Italy  
 Tel: +39 0322 96593  
 Email: [info@appliedrobotics.eu](mailto:info@appliedrobotics.eu)

[www.arobotics.com](http://www.arobotics.com)

